

Fig. 2—(1950-51) Wiring Diagram

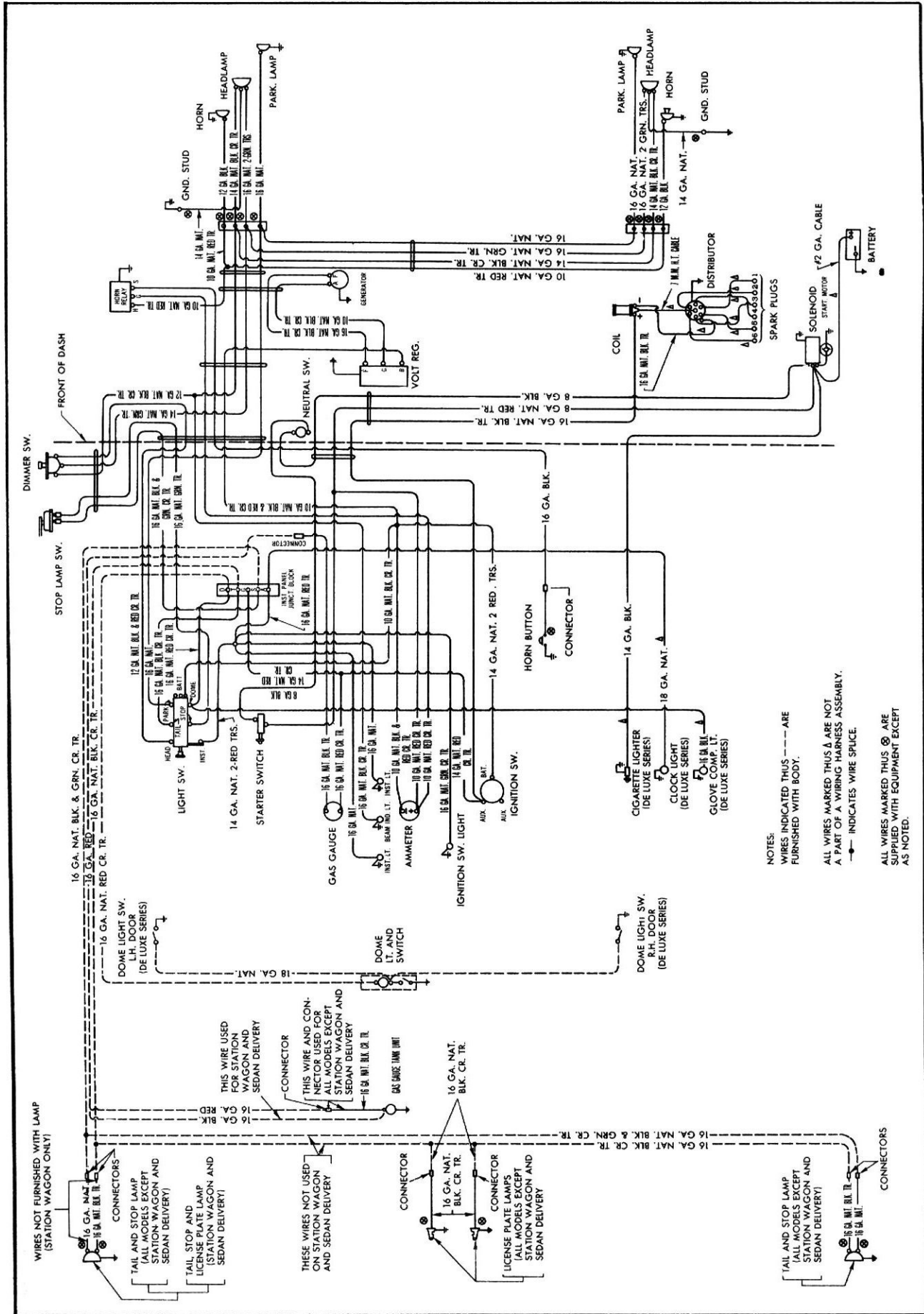


Fig. 2—1950 Passenger Car Wiring Diagram

