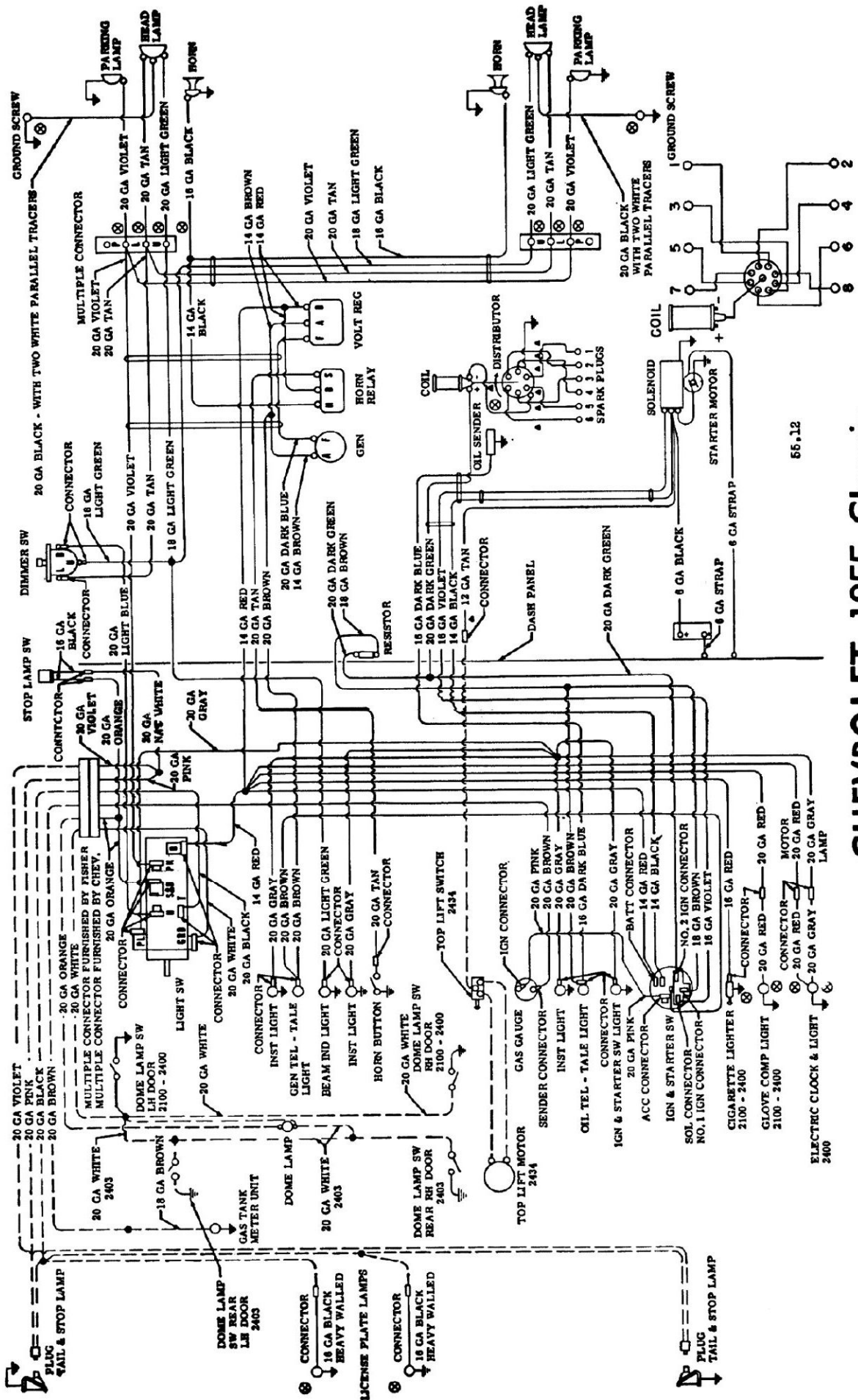


NAME		PASSSENGER CAR INSTRUCTION MANUAL		SHEET	
DATE	BY	REVISION RECORD	AUTH.	DR.	CL.
3-14-55	S	REDRAWN & REVISED	7144	C	DATE
					7-1-54
					3712890
					12 27.00

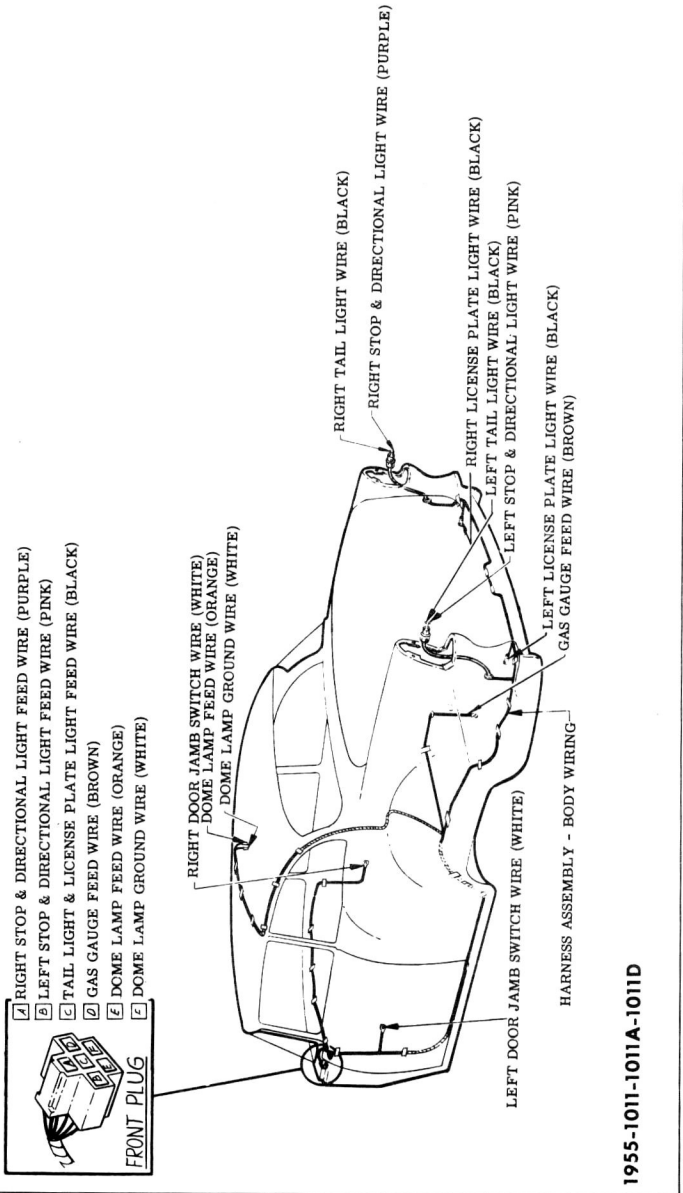
- GENERAL NOTES
1. WIRES MARKED --- ARE FURNISHED WITH BODY.
 2. WIRES MARKED Δ ARE NOT PART OF A WIRING HARNESS ASST.
 3. WIRE SPLICE INDICATED BY A -J-
 4. WIRES MARKED ⊕ ARE SUPPLIED WITH EQUIPMENT

WIRING DIAGRAM



CHEVROLET 1955 Chassis

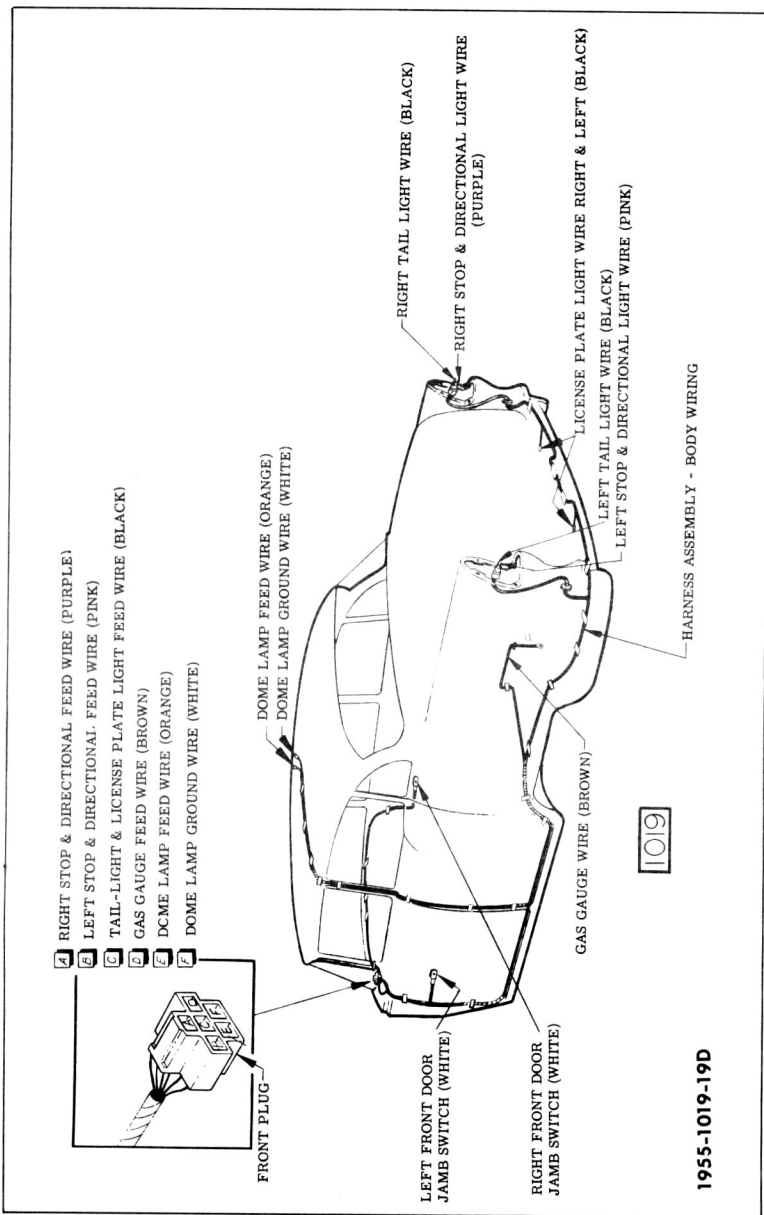
BODY WIRING DIAGRAM
ELECTRICAL EQUIPMENT AND WIRING INSTALLATION



1955-1011-1011A-1011D

FOR 1955 CHEVROLET 1011, 1011A, 1011D BODY STYLES

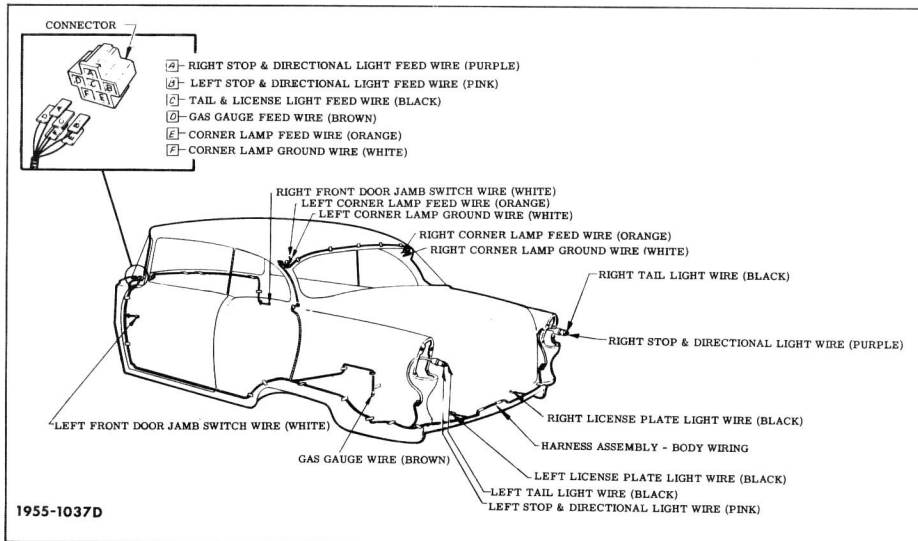
BODY WIRING DIAGRAM ELECTRICAL EQUIPMENT AND WIRING INSTALLATION



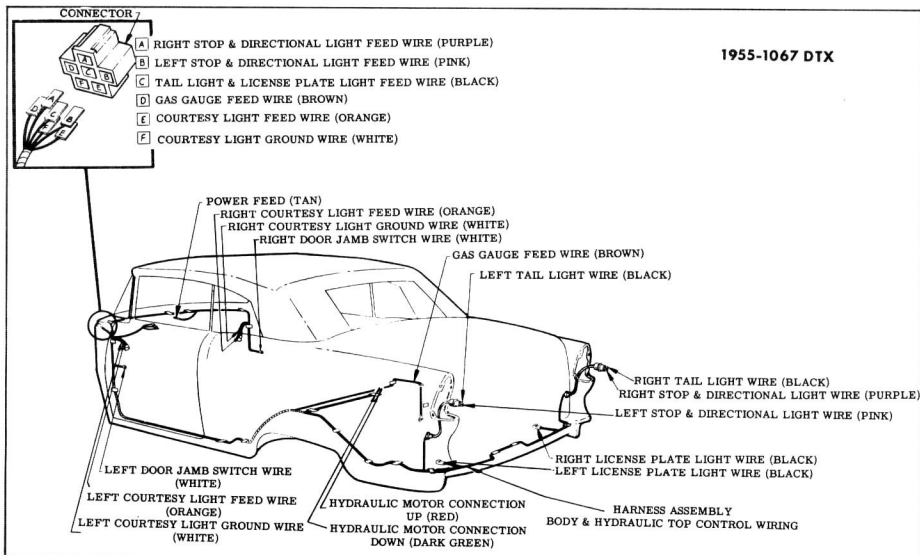
1955-1019-19D

FOR 1955 CHEVROLET 1019, & 1019D BODY STYLES

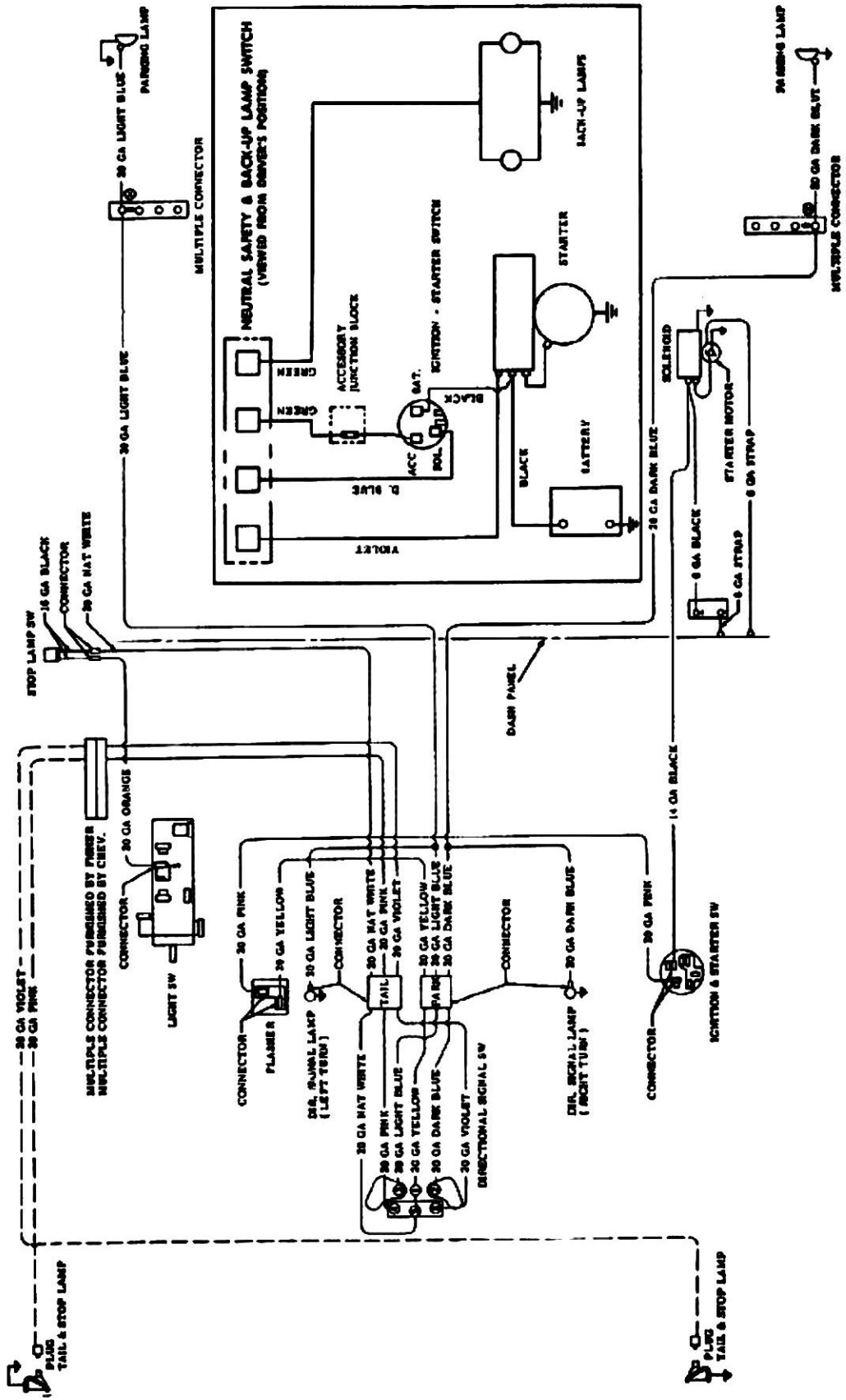
1955 CHEVROLET ELECTRICAL EQUIPMENT AND WIRING INSTALLATION SPECIAL COUPE



CONVERTIBLE COUPE

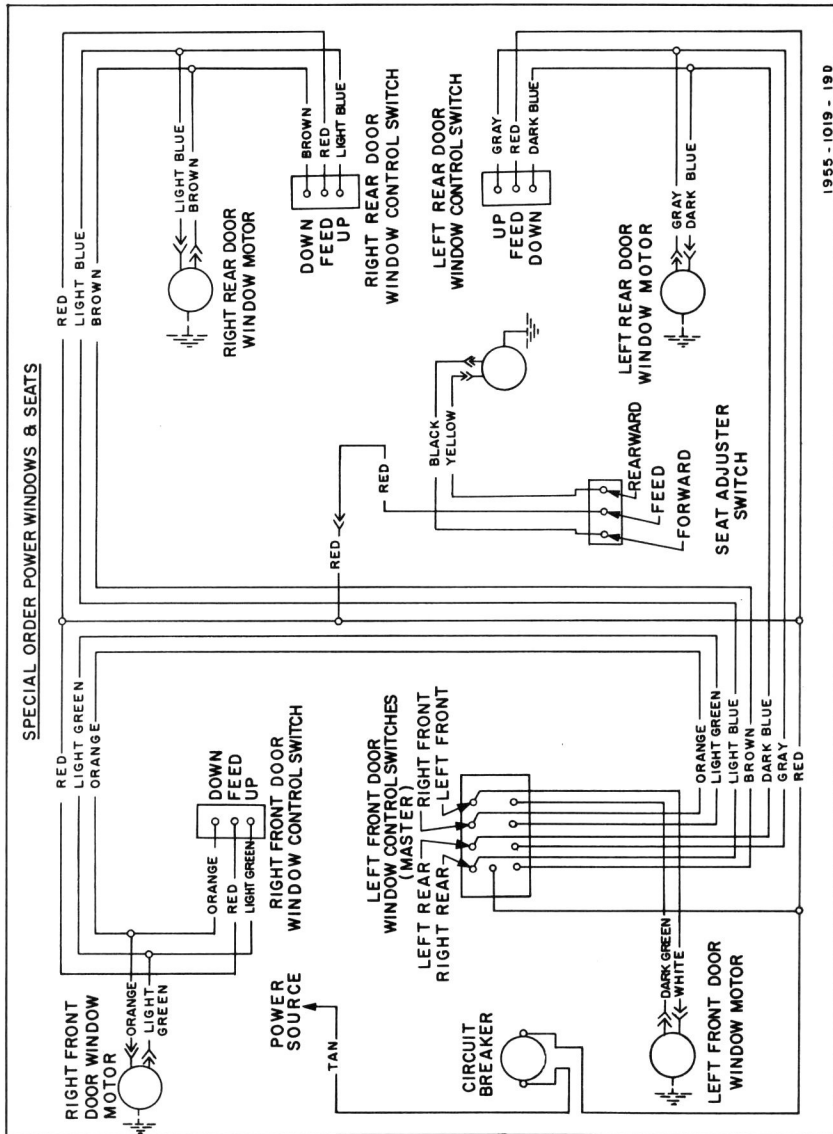


CHEVROLET 1955 Direction Signal & Neutral Safety—Backup Light Switch



1955 CHEVROLET

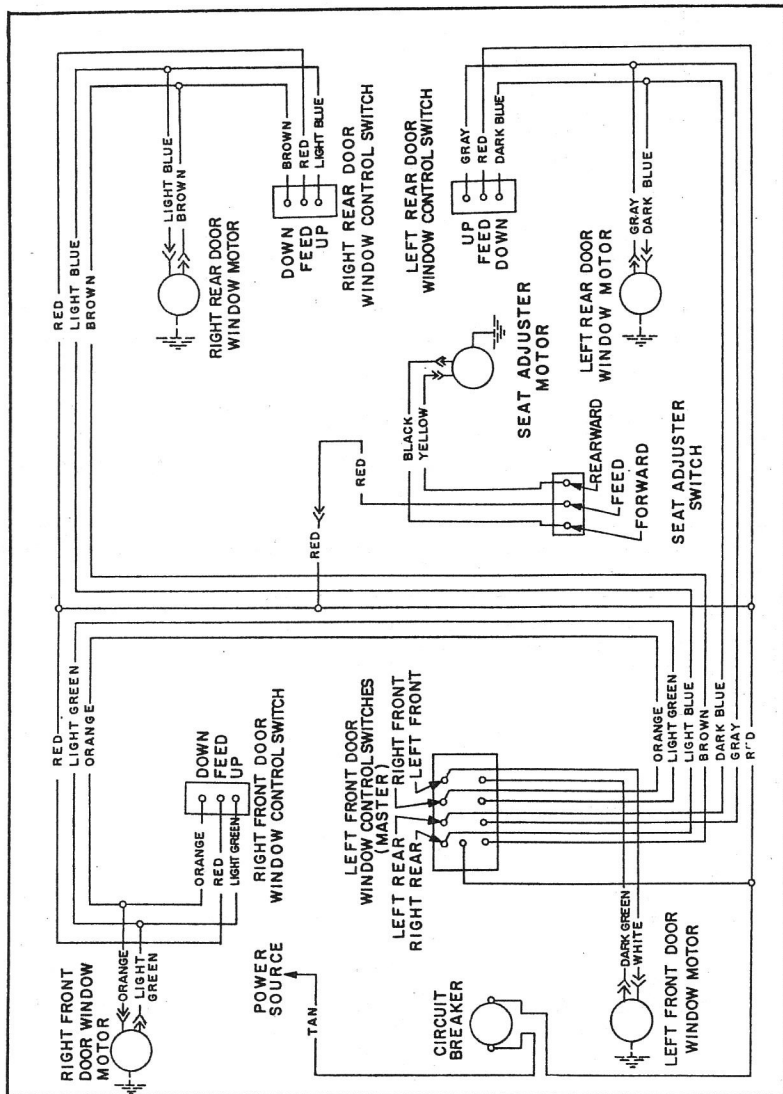
WIRING DIAGRAM



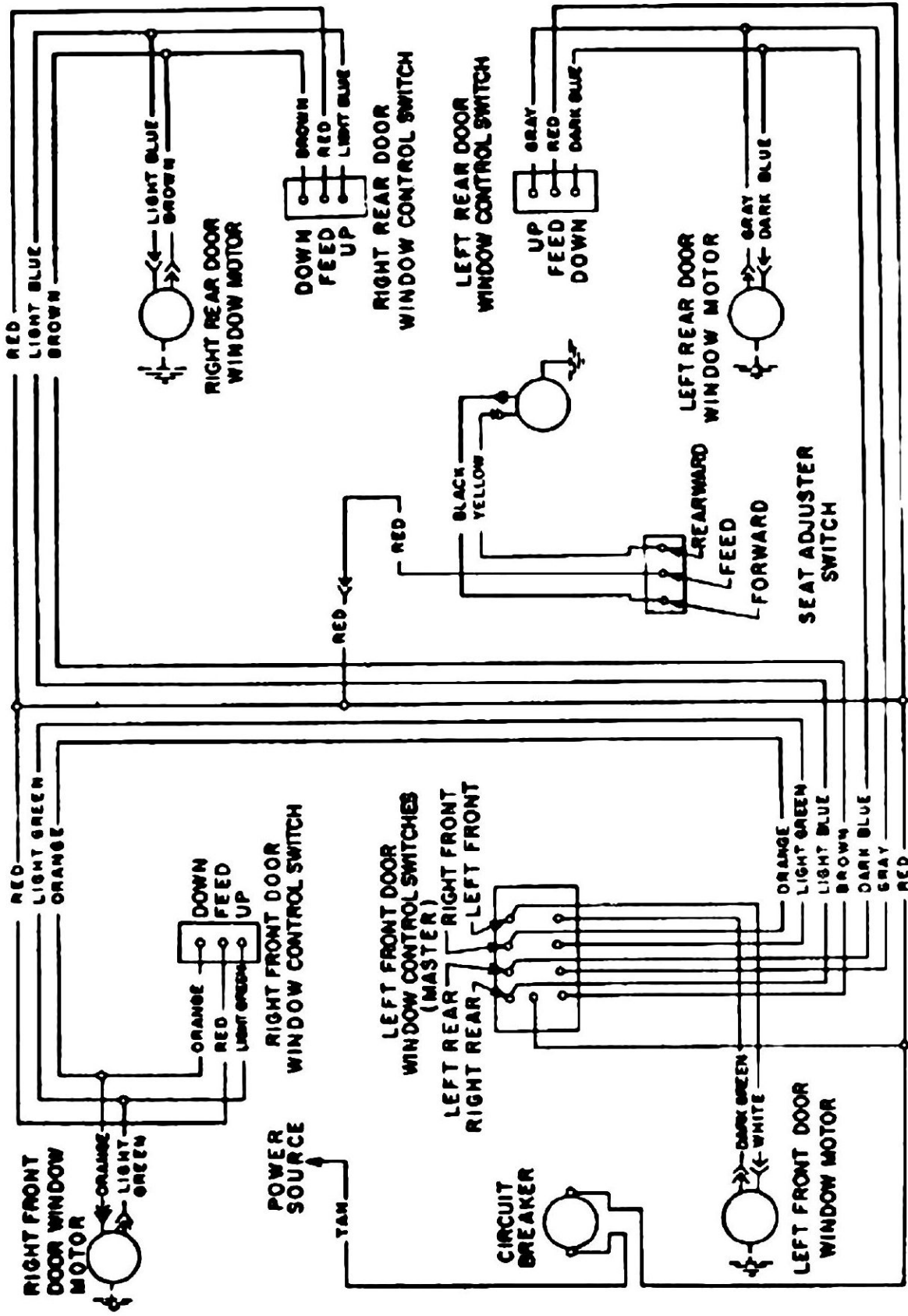
1955 - 1019 - 190

The above drawing is a schematic wiring diagram of the "Special Order Power Window and Seat Circuit" of a 1019 - 19D Style. The circuits for other styles which take the Special Order equipment are similar.

1955 CHEVROLET

WIRING DIAGRAMS
SPECIAL ORDER POWER WINDOWS AND SEAT

The above drawing is a schematic wiring diagram of the Special Order Power Window and Seat Circuit of the 1062F and 1062DF styles. The circuits for other Station Wagon styles which take the Special Order equipment are similar.



CHEVROLET 1955 Power Windows & Seat