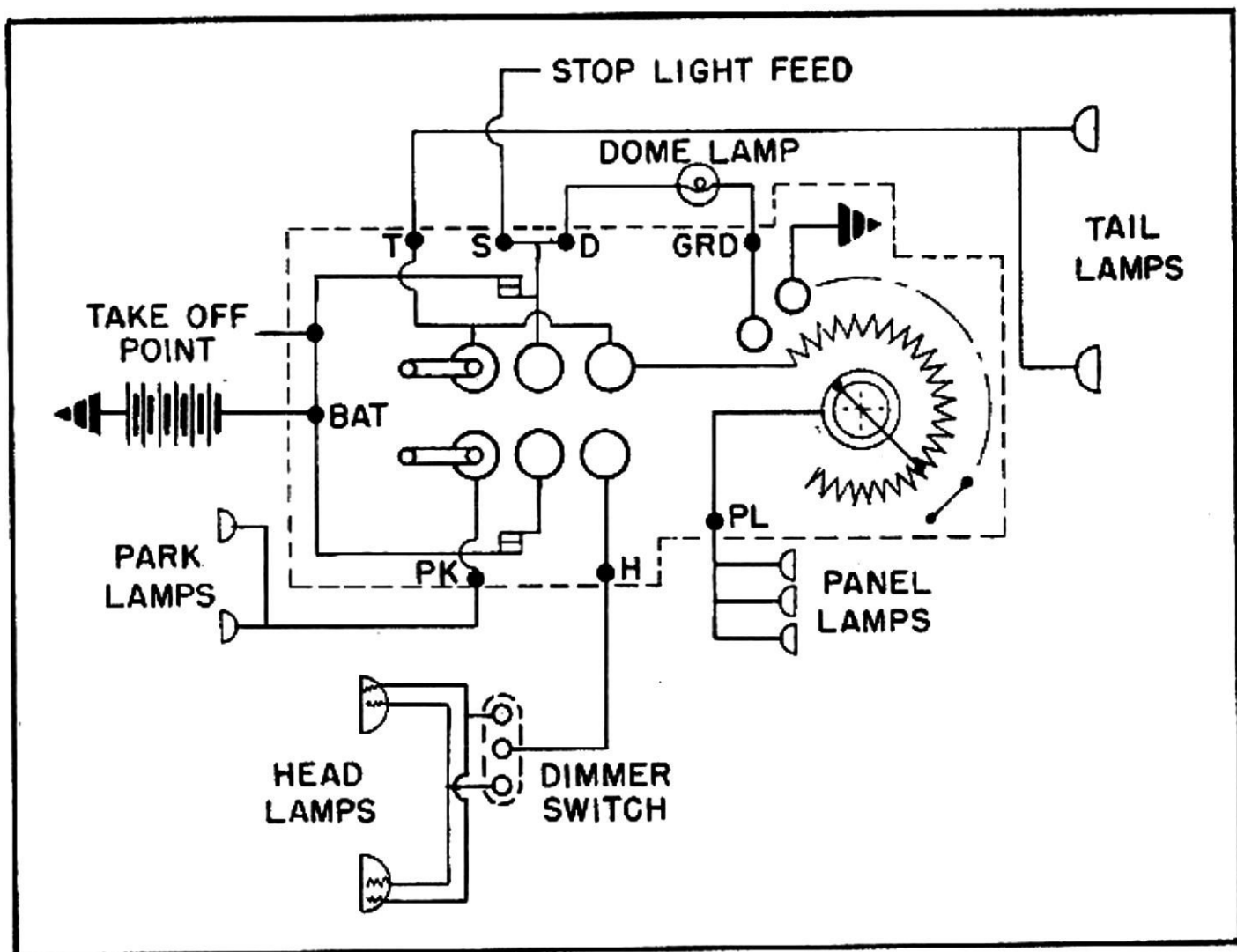


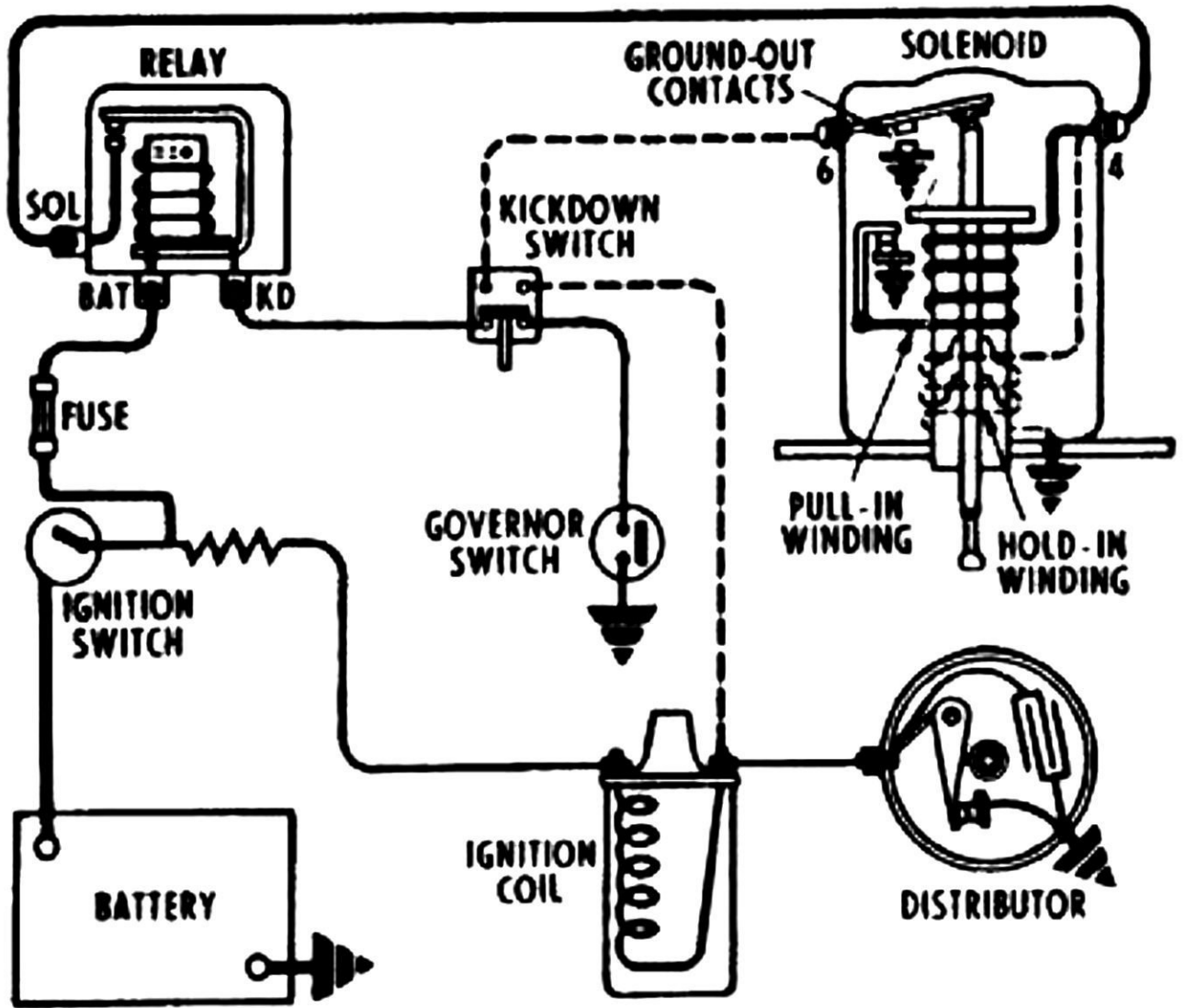
Fig. 1—Wiring Diagram  
1955 CHEVROLET



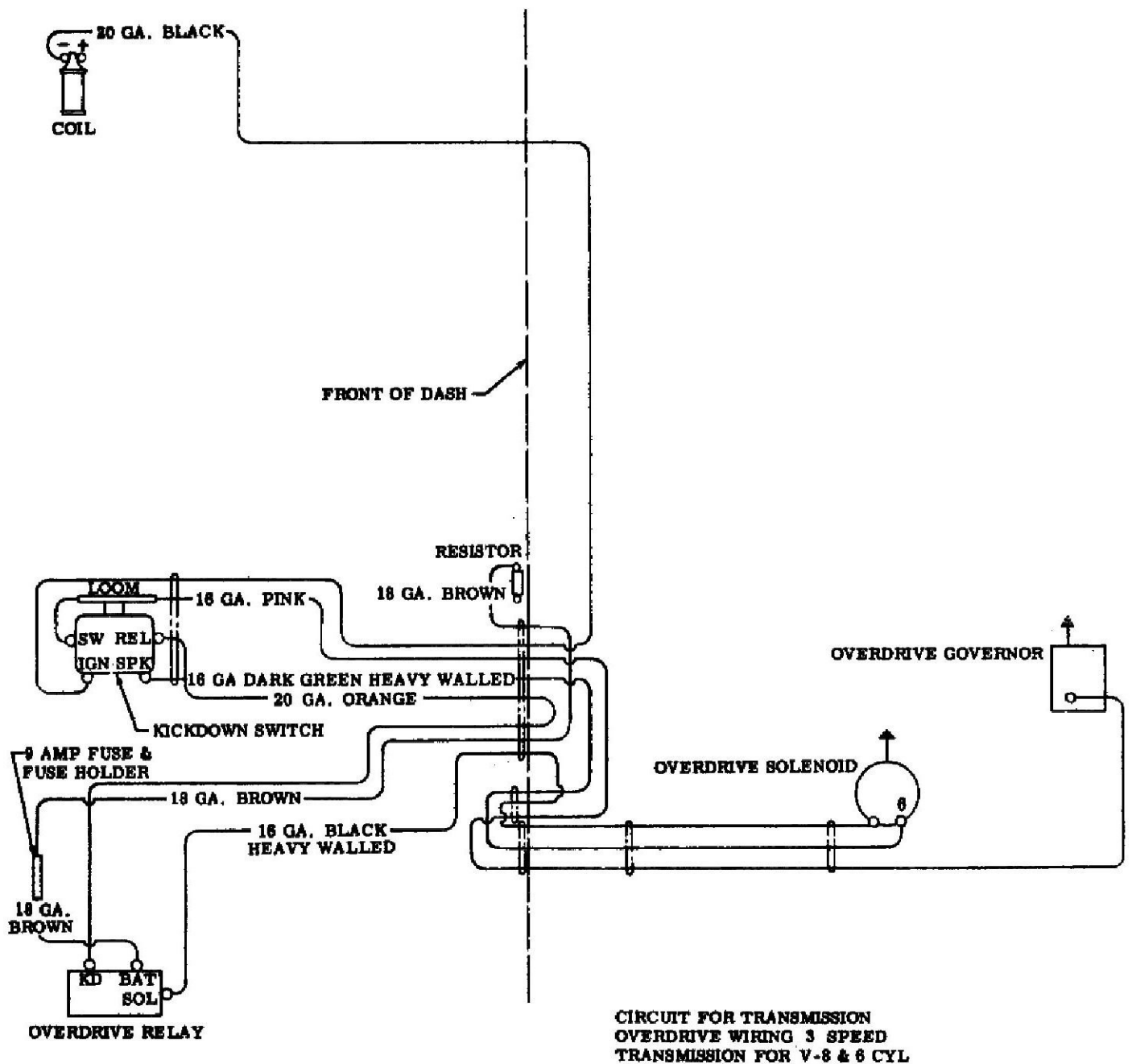
**Fig. 3—Lighting Switch Circuit Diagram**

1955 CHEVROLET

1955 CHEVROLET



**Overdrive Electrical Circuit Wiring Diagram**



**WIRING DIAGRAM**

**MODELS**  
ALL

						NAME	PASSENGER CAR INSTRUCTION MANUAL			
						REF. 7144	DRAWN FD	CHECKED WF	R.P.O.	SHEET
						DATE 3-14-55	PART No. 3712500		315	3.01
DATE	SYM.	REVISION RECORD	AUTH.	DR.	CK.					