

Fig. 238.—The Generator Circuit

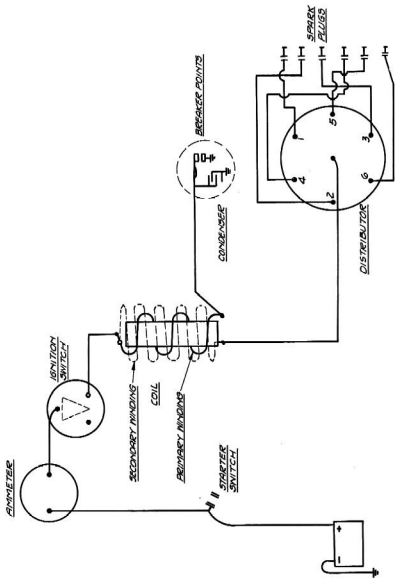


Fig. 298—Ignition Circuit

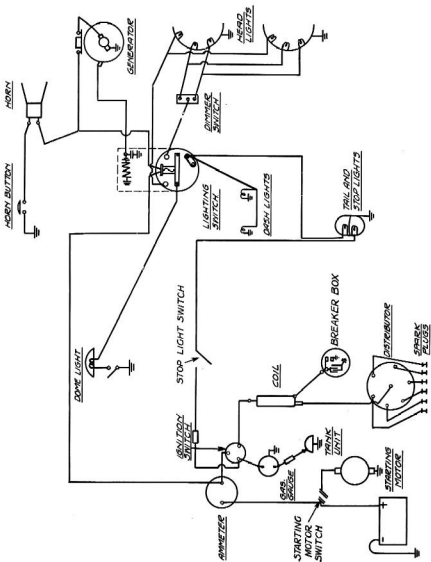


Fig. 294—Complete Car Wiring