



**UNITED MOTORS SERVICE**  
 DIVISION OF GENERAL MOTORS CORPORATION  
 General Offices—Detroit

Bulletin	6 D-846
Chevrolet	986389
Date	1-15-50
Page	1

**AUTO RADIO BULLETIN**

**SUBJECT: SERVICE INSTRUCTIONS - CHEVROLET 1950 MODEL  
 986389 - CUSTOM DELUXE AUTO RADIO**

**GENERAL**

**MOUNTING**      All 1950 Chevrolet Cars

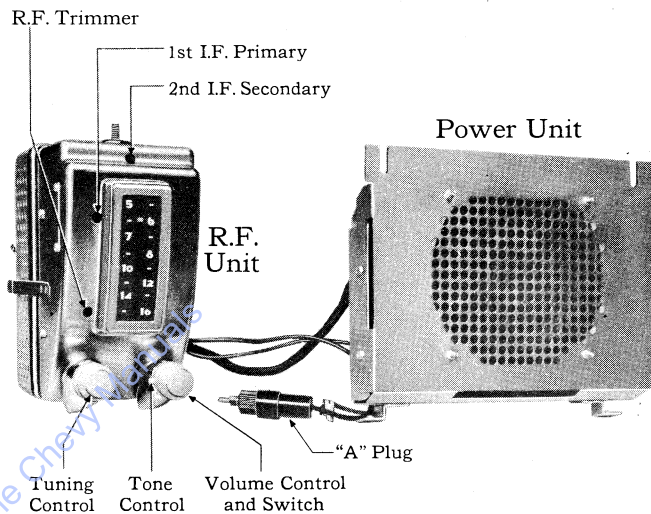
**TUBES**              Five, plus Rectifier

**SPEAKER**        6" Electro-Magnetic  
 or 6" Permanent Magnet

**TUNING**              Manual

**ANTENNA TRIMMER  
 COMPENSATION**  
 —For Antennas Between  
 0.000060 - 0.000090 Mfd.

**TUNING RANGE**      535 - 1610 KC.



MODEL 986389

**ALIGNMENT PROCEDURE:**

Output Meter Connection ..... Across Voice Coil

Generator Return ..... To Receiver Chassis

Dummy Antenna ..... In Series With Generator

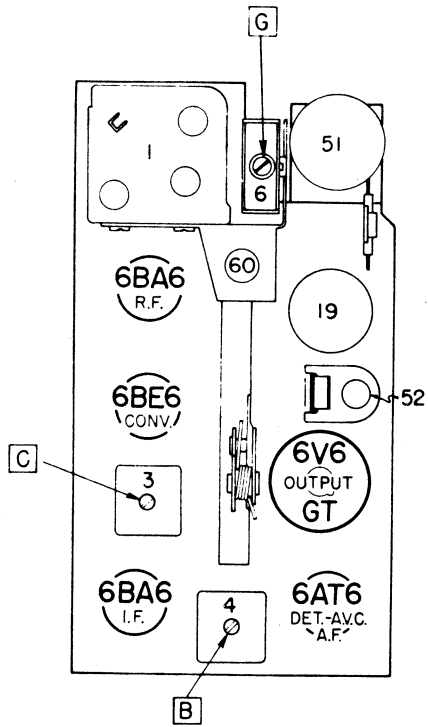
Volume Control Position ..... Maximum Volume

Tone Control Position ..... Treble

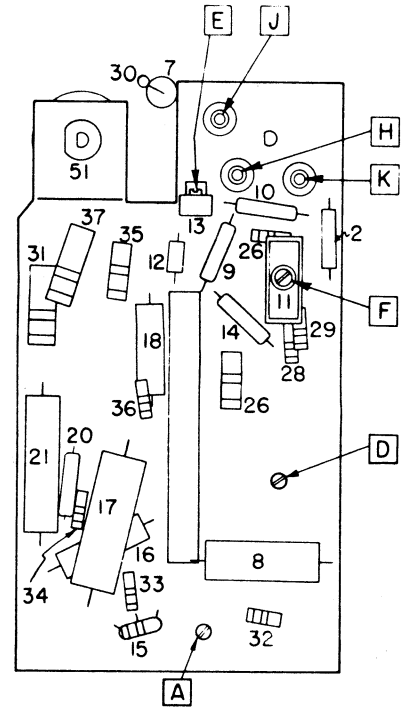
Generator Output ..... Minimum for Readable Indication

Steps	Series Condenser or Dummy Antenna	Connect To	Signal Generator Frequency	Tune Receiver To	Adjust In Sequence For Max. Output
1	0.02 Mfd.	6BE6 Grid (Pin #7)	257.5 KC.	High Frequency Stop	A, B, C, D
2	0.000065 Mfd	Antenna Connector	1610 KC.	High Frequency Stop	E, F, G
3	0.000065 Mfd.	Antenna Connector	1400 KC.	Signal Generator Signal	H, J, K
4	0.000065 Mfd.	Antenna Connector	1610 KC.	High Frequency Stop	F, G
5	0.000065 Mfd.	Antenna Connector	1400 KC.	Signal Generator Signal	*Pointer Adjust. Screw

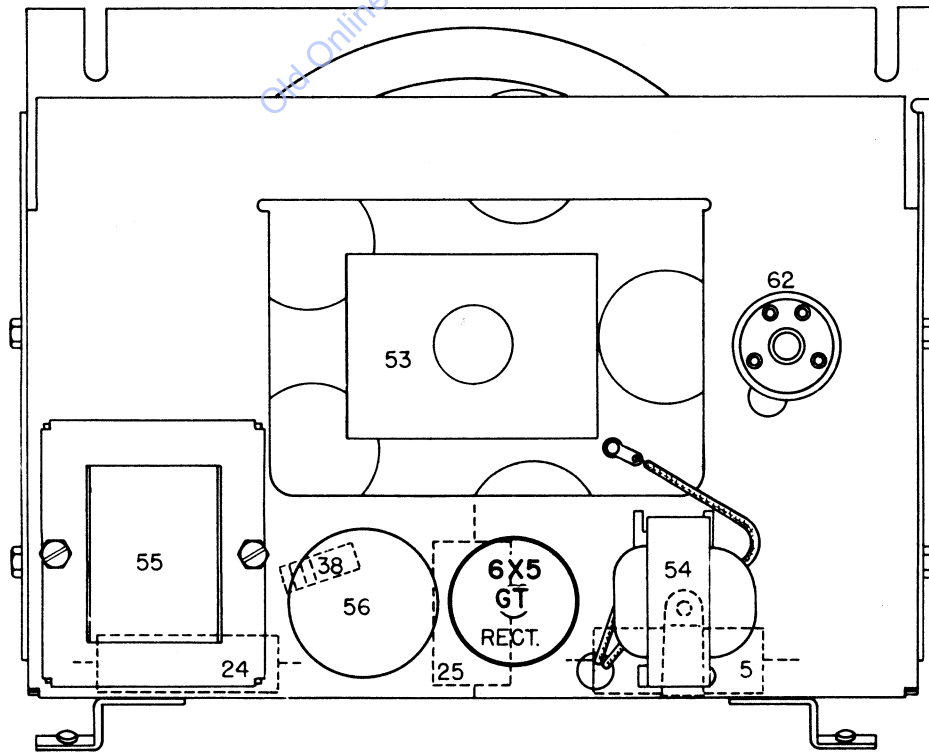
\*Refer to the Pointer String Hookup drawing Page 4. This should be adjusted so the pointer reads 1400 KC.  
 With the radio installed and the car antenna plugged in adjust the antenna trimmer "G" for maximum volume with the radio tuned to a weak station near 1400 KC.



PARTS LAYOUT—TUBE VIEW



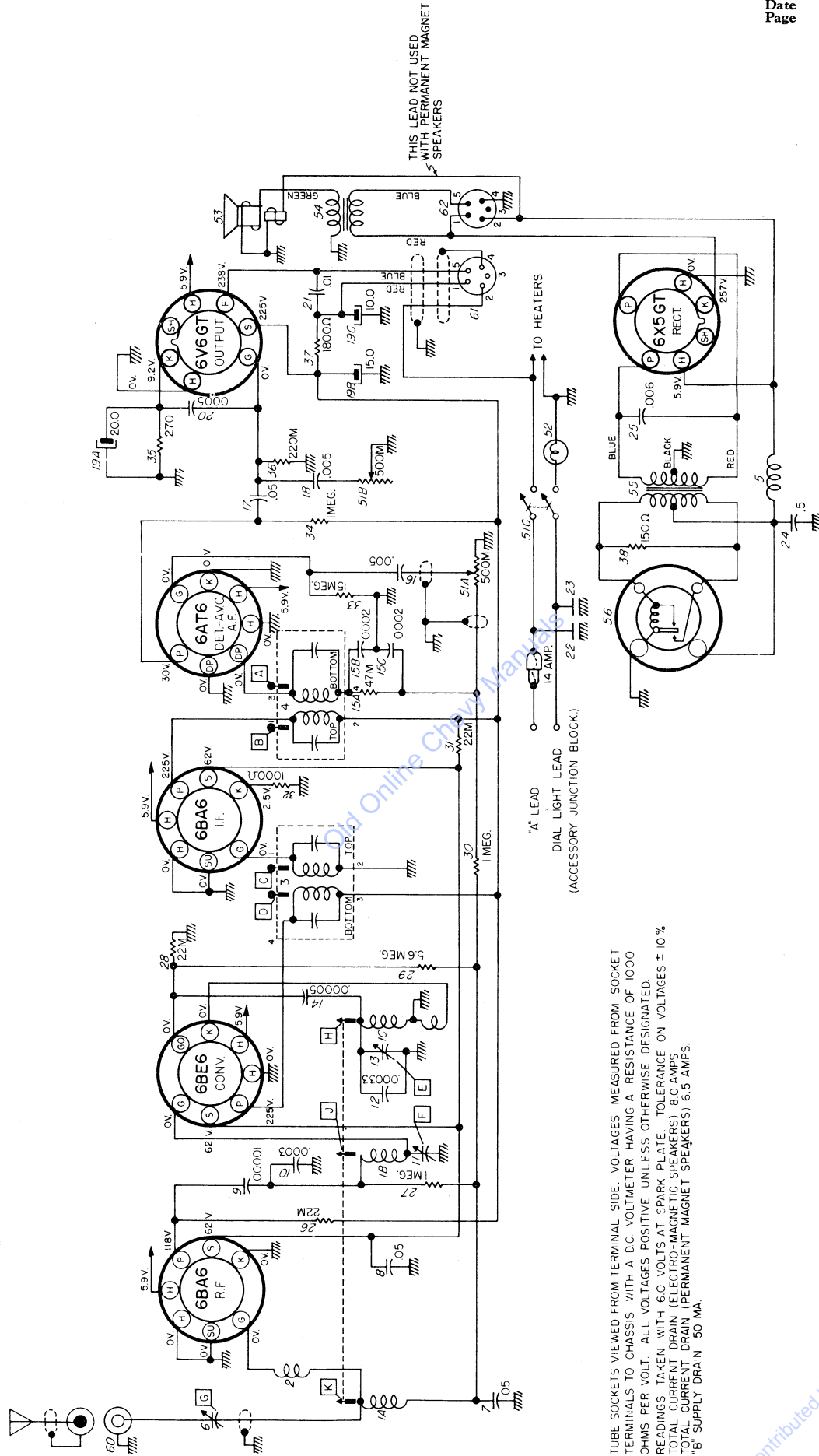
PARTS LAYOUT—CHASSIS VIEW



PARTS LAYOUT—POWER UNIT

GM Online Chevy Manuals

Contributed by G. Thompson



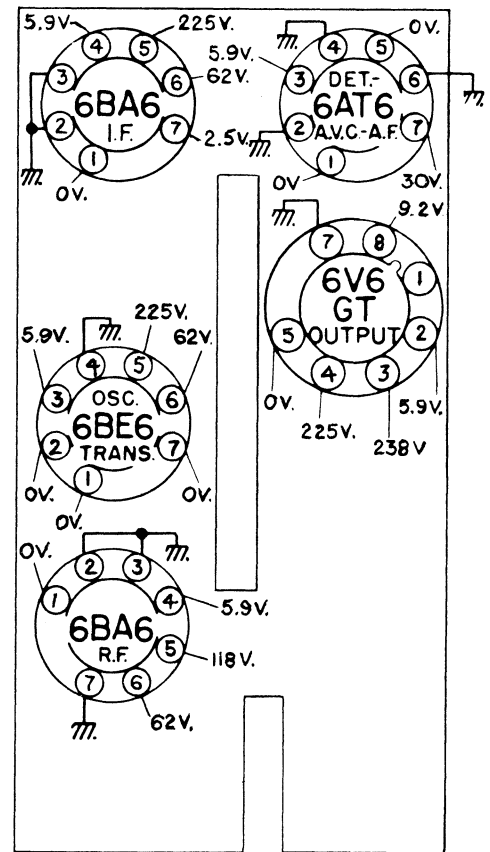
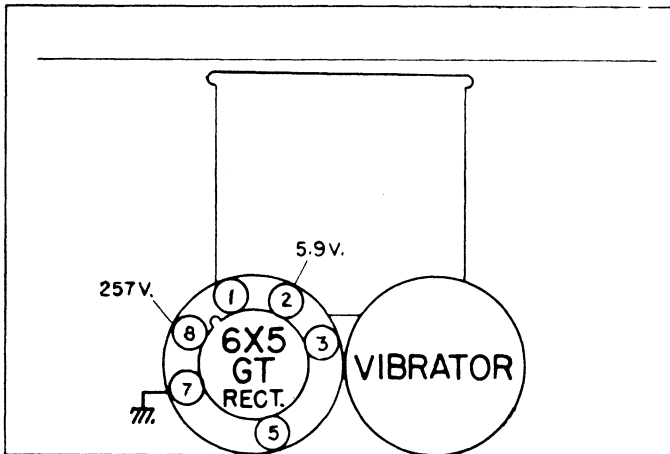
THIS LEAD NOT USED  
WITH PERMANENT MAGNET  
SPEAKERS

"A" LEAD  
DIAL LIGHT LEAD  
(ACCESSORY JUNCTION BLOCK)

TUBE SOCKETS VIEWED FROM TERMINAL SIDE. VOLTAGES MEASURED FROM SOCKET TERMINALS TO CHASSIS WITH A D.C. VOLTMETER HAVING A RESISTANCE OF 1000 OHMS PER VOLT. ALL VOLTAGES POSITIVE UNLESS OTHERWISE DESIGNATED. READINGS TAKEN WITH 6.0 VOLTS AT SPARK PLATE. TOLERANCE ON VOLTAGES ± 10%. TOTAL CURRENT DRAIN (ELECTRO-MAGNETIC SPEAKERS) 8.0 AMPS TOTAL CURRENT DRAIN (PERMANENT MAGNET SPEAKERS) 6.5 AMPS. "B" SUPPLY DRAIN 50 MA.

CHEVROLET 986389

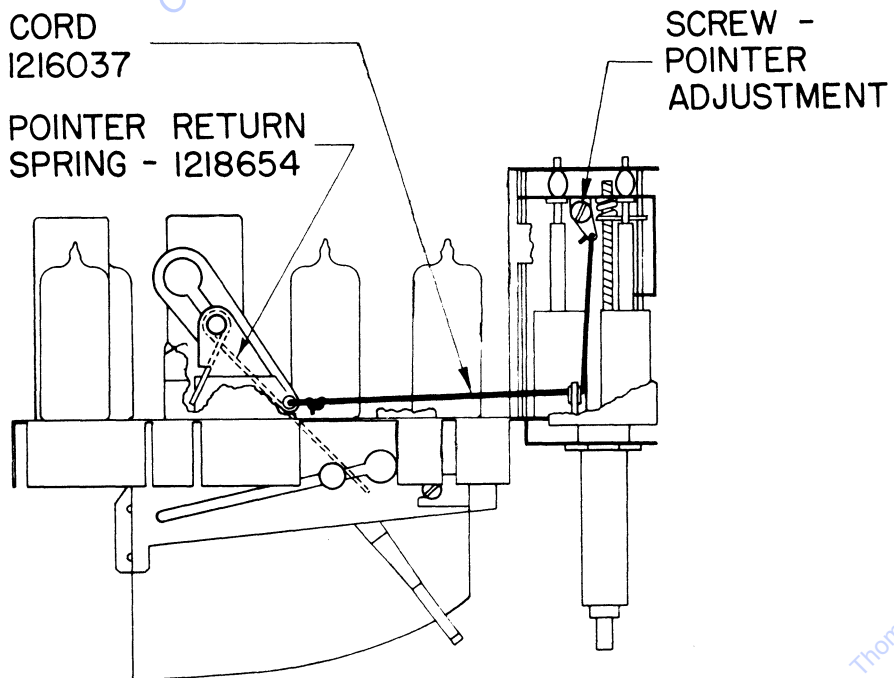
Contributed by G. Thompson



**BOTTOM VIEW OF TUBE SOCKETS**  
**READINGS TAKEN FROM TUBE SOCKET CON-**  
**TACTS TO CHASSIS WITH A D. C. VOLTMETER**  
**HAVING A RESISTANCE OF 1000 OHMS PER**  
**VOLT.**

**"A" SUPPLY AT SPARK PLATE 6.0 VOLTS**  
**"B" SUPPLY DRAIN APPROXIMATELY 50 MA.**

**TUBE SOCKET VOLTAGE CHART**



**POINTER STRING HOOKUP**

## SERVICE PARTS LIST

### ELECTRICAL PARTS

#### COILS

Illus. No.	Service Part No.	Production Part No.	Description
1		1219569	Coils-Permeability Tuning
1A			Antenna Coil
1B			R. F. Coil
1C			Oscillator Coil
2		1218639	Antenna Spark Choke
3		1219567	1st I. F. Assembly
4		1219568	2nd I.F. Assembly
5		1219572	Flash Choke

#### CONDENSERS

6		1218634	Antenna Trimmer
7	E503	7230592	.05 Mfd. 200 V. Tubular
8	E503	7230592	.05 Mfd. 200 V. Tubular
9	G100	1215189	.00001 Mfd. Molded
10	G271	1215553	.0003 Mfd. Molded
11		1218636	R. F. Trimmer
12		1219566	.00033 Mfd.—Silver Mica
13		1218635	Oscillator Trimmer
14	G470	7236141	.00005 Mfd. Molded
15		1219563	Diode Filter Unit
15A			47,000 Ohm
15B			.0002 Mfd.
15C			.0002 Mfd.
16		7230767	.005 Mfd. 100 V. Tubular
17	E503	7230592	.05 Mfd. 200 V. Tubular
18		7230767	.005 Mfd. 100 V. Tubular
19		1218009	Electrolytic Condenser
19A			20 Mfd. 25 V.
19B			15 Mfd. 350 V.
19C			10 Mfd. 350 V.
20		1216881	.0005 Mfd. Molded
21	E103	7233608	.01 Mfd. 600 V.
22		1219577	Spark Plate
23		1219577	Spark Plate
24		7240248	5 Mfd. 100 V. Tubular
25		1219320	.006 Mfd. 1600 V. Tubular

#### RESISTORS

26	B223	1216156	22,000 Ohm 1 W. Insulated
27	A105	1213282	1 Megohm 1/2 W. Insulated
28	A223	1214550	22,000 Ohm 1/2 W. Insulated
29		1215562	5.6 Megohm 1/2 W. Insulated
30	A105	1213282	1 Megohm 1/2 W. Insulated
31	C223	7240590	22,000 Ohm 2 W. Insulated
32	A102	1213235	1000 Ohm 1/2 W. Insulated
33	A156	1213289	15 Megohm 1/2 W. Insulated
34	A105	1213282	1 Megohm 1/2 W. Insulated
35	B271	1213846	270 Ohm 1 W. Insulated
36	A224	1214555	220,000 Ohm 1/2 W. Insulated
37	C182	1214573	1800 Ohm 2 W. Insulated
38	B151	1211005	150 Ohm 1 W. Insulated

#### TUBES

1217690	6BA6—R. F. Amplifier
1217691	6BE6—Oscillator—Translator
1217690	6BA6—I. F. Amplifier
1218105	6AT6—Detector—AVC—1st Audio
1213793	6V6GT—Audio Output
1213794	6X5GT—Rectifier

MISCELLANEOUS ELECTRICAL PARTS

Illus. No.	Service Part No.	Production Part No.	Description
51		1218641	Control-Volume, Tone & Switch
51A			Volume Control
51B			Tone Control
51C			On-Off Switch
52		125588	Lamp, Dial (Mazda 55)
53		1219575	Speaker—6" Electro-Magnetic
			or
53		1219576	Speaker—6" Perm. Magnet
54		1219573	Transformer—Output
55		1219571	Transformer—Power
56	8542	1218006	Vibrator

MECHANICAL PARTS

CHASSIS

60		1218651	Socket—Antenna Connector
		7236279	Socket—Octal
		1219570	Socket—Miniature
		7239125	Socket—Vibrator
		1218640	Clip—Pilot Lamp
		1219586	Clip—I. F. Transformer Mtg.
61		1218642	Cable & Socket—Power
		1218645	Lead Assy.—Dimmer
		1219574	Plug & Leads Assy.—Power Supply & Speaker
62		1218650	Plug—Plug & Leads Assy.
		1218655	Spring—Case Assembly Cover
		1219579	"A" Connector Assembly
		1219556	Case—Front

TUNER PARTS

	1218621	Pointer Arm
	1218623	Pointer Arm Assembly
	1219564	Background—Dial
	1219565	Background—Pointer
	1218644	Dial
	1218646	Link & Stud Assy.—Pointer
	1218647	Nut—Speed—Dial & Dial Background
	1218648	Pointer—Dial
	1218654	Spring—Pointer Return
	1218659	Stud—Top Mounting

INSTALLATION PARTS

	7257921	Body, Fuse Holder
	3690332	Bracket—Receiver Mtg.—Top
	7257984	Block—Serrated—Radio Mtg.
	7257922	Bushing—Control
	3690333	Trim Plate
	147685	Fuse—14 Amp.—25 V.
	3693934	Knob—Tone
	7258879	Knob—Dummy
	7258880	Knob—Includes Set Screw—Volume & Tuning
6015	1911095	Condenser—Generator
	1910147	Condenser—Ignition Coil
	1912900	Condenser—Voltage Regulator
		or
	557531	Condenser—Voltage Regulator
	494786	Static Collector Assy.
	1888204	Nipple—Suppressor
	7257917	Stud—Power Supply Mtg.
	7257925	Shroud—Speaker
	1887829	Suppressor Distributor