



UNITED MOTORS SERVICE

DIVISION OF GENERAL MOTORS CORPORATION

General Offices - Detroit

AUTO RADIO BULLETIN

Bulletin	6D-847
Chevrolet	986443
Date:	4-20-50
Page	1

SUBJECT: SERVICE INSTRUCTIONS — CHEVROLET TRUCK MODEL 986443

GENERAL

MOUNTING—All 1950 Chevrolet Trucks.

TUBES—Five, plus rectifier.

SPEAKER—6" x 9" Elliptical, Permanent Magnet.

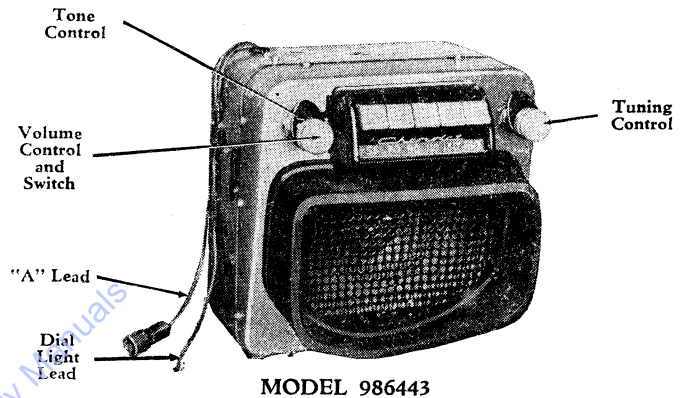
TUNING—Manual and 5 P. B. Mechanical.

ANTENNA TRIMMER COMPENSATION—For Antennas Between 0.000058 - 0.000090 Mfd.

TUNING RANGE—550-1600 KC.

PUSH BUTTON SET-UP PROCEDURE

Pull Push Button left and out. Tune in desired station manually. Push button all the way in.



ALIGNMENT PROCEDURE

Output Meter Connections Across Voice Coil
 Generator Return To Receiver Chassis
 Dummy Antenna In Series With Generator
 Volume Control Position Maximum Volume
 Tone Control Position Treble
 Generator Output Minimum for Readable Indication

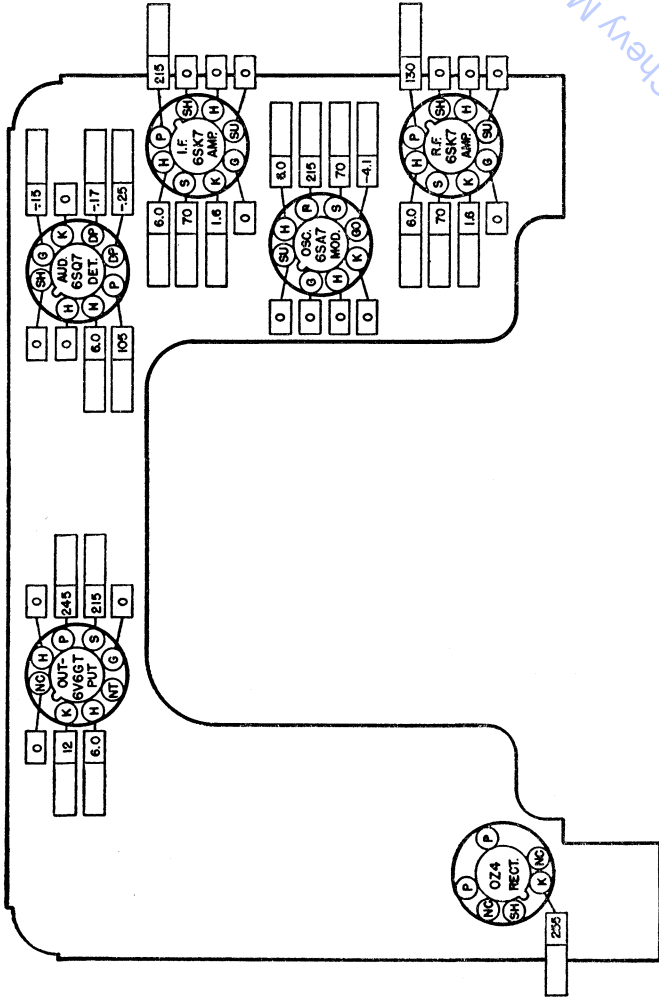
Steps	Series Condenser or Dummy Antenna	Connect Signal Generator to	Signal Generator Frequency	Tune Receiver to	Adjust in Sequence for Max. Output
1	0.1 Mfd.	6SA7 Grid (Pin #8)	260 KC	High Frequency Stop	A, B, C, D
2	0.000068 Mfd.	Antenna Connector	1615 KC	High Frequency Stop	*E, F, G
3	0.000068 Mfd.	Antenna Connector	1000 KC	Signal Generator Signal	J, K
4	0.000068 Mfd.	Antenna Connector	1615 KC	High Frequency Stop	F, G
5	0.000068 Mfd.	Antenna Connector	1000 KC	Signal Generator Signal	L**

*Before making this adjustment check mechanical setting of oscillator core "H." The rear of the core should be 1 3/8" from the mounting end of the coil form. (This measurement is readily made by inserting a suitable plug in the mounting end of the coil form.) If adjustment is necessary, first dissolve the glyptal seal on the core studs. Core adjustments should be made with an insulated screw driver, and core studs should be cemented in place with glyptal or household cement after alignment.

**L is the pointer adjustment screw which is on the connecting link, between the pointer assembly and core guide bar (See tuner Dwg.) It should be adjusted so that when looking directly at the dial the pointer is on the 1100 KC mark. This setting is to give the correct relationship between the pointer and the dial when the radio is installed in a car.

With the radio installed and the car antenna plugged in adjust the antenna trimmer "G" for maximum volume with the radio tuned to a weak station near 1400 KC (see sticker on case).

TUBE SOCKET VOLTAGE CHART

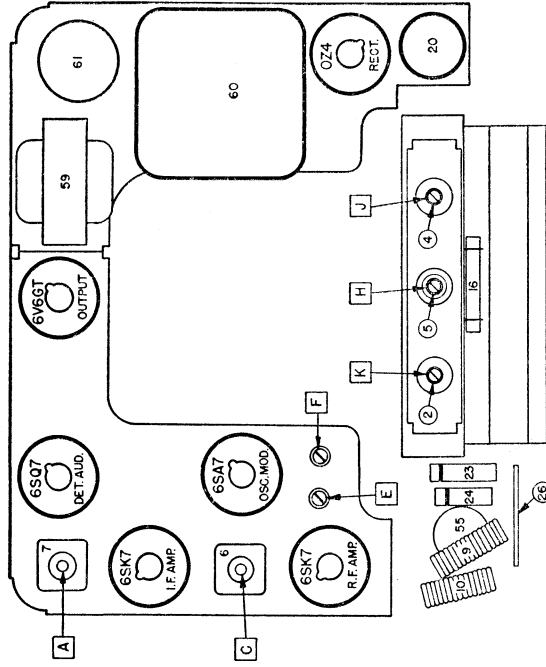


The tube socket voltages, as measured at the factory and under the conditions shown on the schematic diagram on page 3 are shown above. The blank spaces are provided so the service man may fill in the actual voltage readings as taken with his own equipment. A normal operating radio should be used for these measurements.

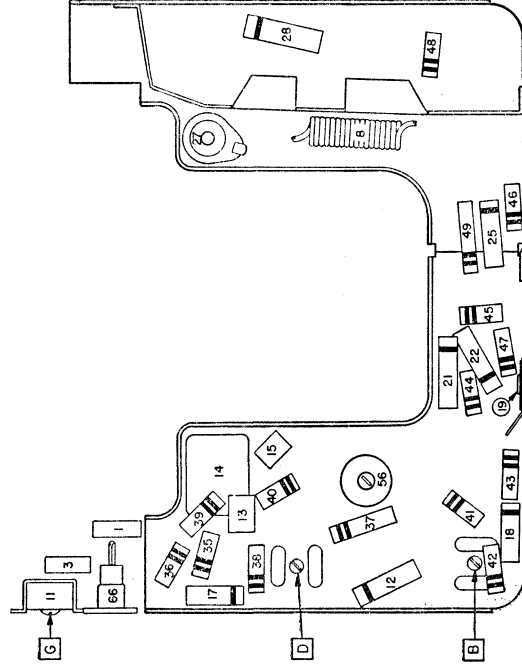
VOLTMETER RESISTANCE..... OHMS PER VOLT

READINGS TAKEN WITH..... VOLTS AT SPARK PLATE

Voltage measured from socket terminals to chassis and are positive unless marked otherwise.



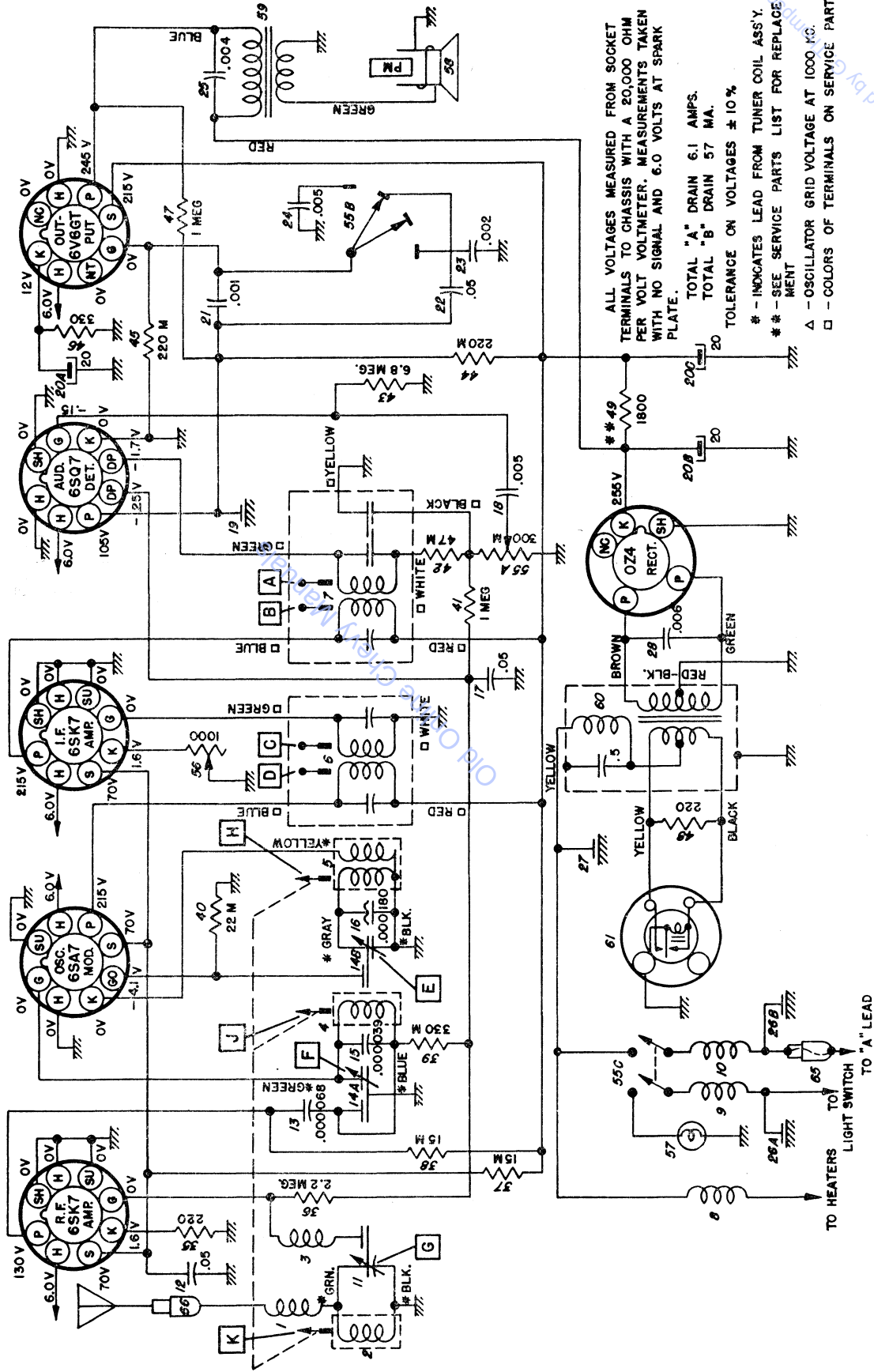
PARTS LAYOUT—TUBE VIEW



PARTS LAYOUT—CHASSIS VIEW

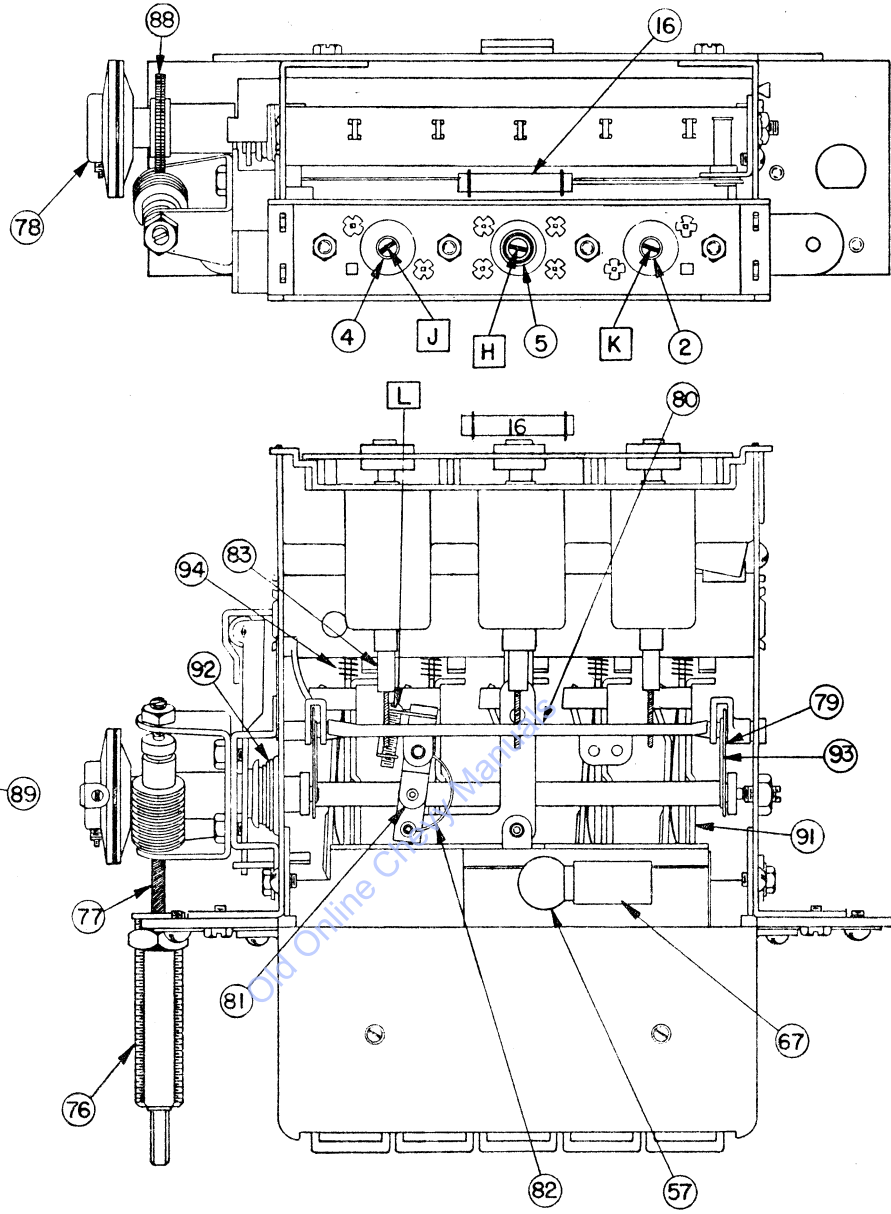
Contributed by G. Thompson

Online Chevy Manuals

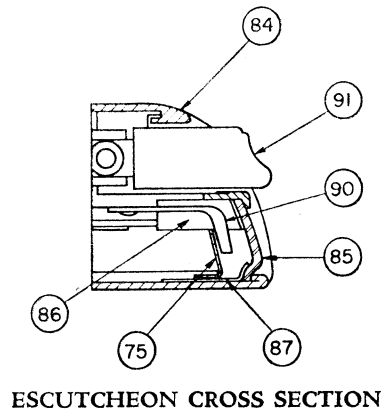


CHEVROLET 986443

Contributed by: AutoParts.com



TUNER



ESCUTCHEON CROSS SECTION

SERVICE PARTS LIST

Illus. No.	Production Part No.	Service Part No.	Description
ELECTRICAL PARTS			
Coils			
1	7255738	7255738	Antenna Series Choke
2	7258914	7258914	Antenna
3	7240251	7240251	Antenna Spark Choke
4	7258914	7258914	R.F.
5	7258911	7258911	Oscillator
6	7258188	1218725	1st I. F.
7	7258198	1218726	2nd I.F.
8	7255912	7255912	Hash Choke
9	7258554	1217846	"A" Spark Choke
10	7258554	1217846	"A" Spark Choke
Condensers			
11	7257959	7257959	Antenna Trimmer & Brkt.
12	7236841	E-503	.05 mfd. 400V Tubular
13	1219550	G 680	.000068 mfd. Mica
14	7242454	7242454	Dual Trimmer
14A			R.F. Section
14B			Oscillator Section
15	7258221	G 390	.000039 mfd. Mica
16	7257424	7257424	.000180 mfd. Compensating
17	7236842	E 503	.05 mfd. 200V Tubular
18	7230767	E 502	.005 mfd. 600V Tubular
19	1217848	1217848	Chassis Plate Cond.
20	7240724	M 908	Electrolytic
20A			20 mfd. 25V
20B			20 mfd. 400V
20C			20 mfd. 400V
21	7239188	E 102	.001 mfd. 600V Tubular
22	7230892	E 503	.05 mfd. 400V Tubular
23	1219632	E 202	.002 mfd. 600V Tubular
24	7232956	E 502	.005 mfd. 600V Tubular
25	7233243	H 402	.004 mfd. 800V Tubular
26	7258332	1219869	Spark Plate Cond.
26A			Pilot Light Section
26B			"A" Lead Section
27	1217848	1217848	Chassis Plate Cond.
28	7240906	H 602	.006 mfd. 1600V Tubular
Resistors			
35	7237835	A 221	220 ohms 1/2W Insulated
36	1211147	A 225	2.2 megohms 1/2W Insulated
37	7233653	C 153	15,000 ohms 2W Insulated
38	7237595	B 153	15,000 ohms 1W Insulated
39	7240732	A 334	330,000 ohms 1/2W Insulated
40	1214550	A 223	22,000 ohms 1/2W Insulated
41	7238873	A 105	1 megohm 1/2W Insulated
42	1214553	A 473	47,000 ohms 1/2W Insulated
43	7241937	A 685	6.8 megohms 1/2W Insulated
44	1213479	A 224	220,000 ohms 1/2W Insulated
45	1213479	A 224	220,000 ohms 1/2W Insulated
46	7233773	C 331	330 ohms 1W Insulated
47	7238873	A 105	1 megohm 1/2W Insulated
48	7237994	B 221	220 ohms 1W Insulated
49	1214573	{ C-272 } B-562	1800 ohms 2W wire wound (Replace with 2700 2W and 5600 1W in parallel)
Tubes			
	7237751	5229	6SK7
	7237752	5222	6SA7
	1214293	5232	6SQ7GT
	1213793	5241	6V6GT
	1211924	5003	0Z4

SERVICE PARTS LIST

Illus. No.	Production Part No.	Service Part No.	Description
Miscellaneous Electrical Parts			
55 55A 55B 55C	7256188	7256188	Control - Volume, Tone & Switch Volume Control Tone Control Switch
56	7242204	7242204	Control - Sensitivity
57	125588	55	Lamp - Dial Light
58	7259381	6111	Speaker - 6x9 Elliptical PM
59	7256009	7256009	Transformer - Output
60	7255881	7255881	Transformer - Power
61	7239124	8542	Vibrator

MECHANICAL PARTS

Chassis

65	7256250	1217950	"A" Lead & Fuse Holder
66	7256742	7256742	Connector - Antenna
67	1219619	1219619	Socket - Dial Light
	7236279	7236279	Socket - Octal Tube
	7239125	7239125	Socket - Vibrator

Tuner

75	7255941	7255941	Backplate - Pointer
	147481	147481	Ball Bearings Pkg.
76	7258491	7258491	Bushing & Drive Shaft Assy.
77	7258525	7258525	Manual Drive Shaft Assy.
78	7258072	7258072	Clutch Disc - Driven
79	7258203	7258203	Connecting Link
80	7258211	7258211	Core Guide Bar - Parallel
81	7256271	7256271	Conn. Link - Pointer
82	7255992	7255992	Spring-Conn. Link - Pointer
83	7258468	7258468	Core Assy. - Powdered Iron
84	7259759	7259759	Escutcheon Assy.
85	7259764	7259764	Dial
86	7255940	7255940	Dial Backplate - Upper
87	7256163	7256163	Dial Backplate - Lower
88	7256102	7256102	Gear & Bushing - Clutch
89	7259755	7259755	Gear & Bracket - Worm
	7237172	7237172	Grommet - Osc. Coil Mtg.
	7244021	7244021	Grommet - Ant. - RF Coil Mtg.
	7251168	7251168	Grommet - "A" Lead
90	7256175	7256175	Pointer Assy.
	1219618	1219618	Pointer Tip Pkg.
91	1217837	1217837	Push Button and Slide Assy.
92	7258756	7258756	Spring - Clutch
93	7257415	7257415	Spring - Core Bar Conn. Link
94	7255984	7255984	Spring - Slide Return

INSTALLATION PARTS

7257919	7257919	Condenser - Ammeter
1911095	6030	Condenser - Generator
1910147	6030	Condenser - Ignition Coil
1912900	6030	Condenser - Voltage Regulator
7256098	7256098	Escutcheon - Control Bushing
147685	147685	Fuse - 14 amps
7256148	7256148	Knob - Control
7255935	7255935	Knob - Dummy
7255936	7255936	Knob - Wing
7256466	7256466	Spacer - Radio Mtg. - Lower
7255934	7255934	Spacer - Radio Mtg. - Upper
494786	6009	Static Collector
1887829	6003	Suppressor - Distributor
1888204	1888204	Rubber Nipple