

Bulletin 6D-652
 Chevrolet Rear
 Seat Speakers
 Date: 2-1-53
 Page 1
 Supersedes Page 1
 Issue dated 3-28-51

UNITED MOTORS SERVICE

DIVISION OF GENERAL MOTORS CORPORATION

General Offices - Detroit

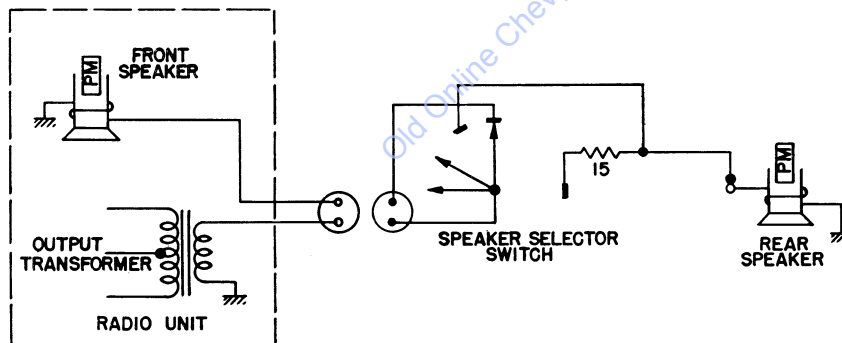


AUTO RADIO AUXILIARY SPEAKER BULLETIN

**SUBJECT: SERVICE INSTRUCTIONS - 1951 CHEVROLET REAR
 SEAT SPEAKER PART NUMBER 986532**

GENERAL: This rear seat speaker is to be mounted on the right hand side of the rear package shelf. It is operated in conjunction with the radio unit and is controlled by the switch which is mounted on the instrument panel. This is a four position switch which permits use of either speaker separately, both simultaneously with the same volume, or both simultaneously with the rear speaker at a reduced volume.

SCHEMATIC



SERVICE PARTS LIST

Production Part No.	Service Part No.	Description
7259355	7259355	Bezel
7259356	7259356	Grille
7259733	7259733	Knob - Speaker Control
1219623	1219623	Plug and Socket Package
7258981	7258981	Speaker - Rear 5" x 7" P. M.
1219861	1219861	Switch and Resistor Assy.
7262237	7262237	Motor Noise Filter



UNITED MOTORS SERVICE

DIVISION OF GENERAL MOTORS CORPORATION

General Offices - Detroit

Bulletin 6D-652
Chevrolet Rear Seat
Speakers
Date: 12-15-54
Page 2

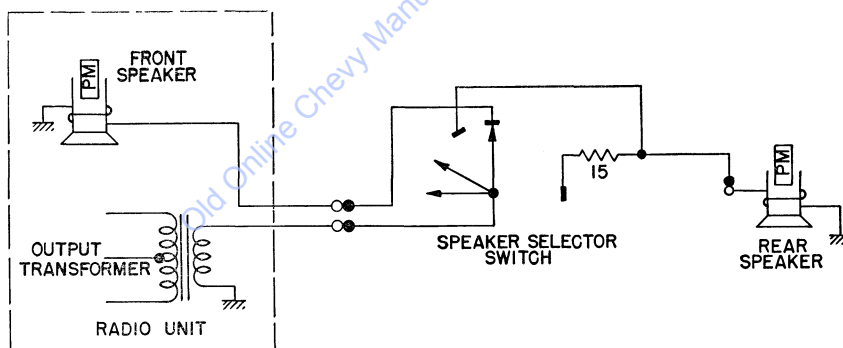
Supersedes Page 2
Issue of 2-1-53

AUTO RADIO AUXILIARY SPEAKER BULLETIN

**SUBJECT: SERVICE INSTRUCTIONS - 1953 CHEVROLET REAR
SEAT SPEAKER PART NUMBER 986694**

GENERAL: This rear seat speaker is to be mounted on the rear package shelf. It is operated in conjunction with the radio unit and is controlled by the switch which is mounted on the instrument panel. This is a four position switch which permits use of either speaker separately, both simultaneously with the same volume, or both simultaneously with the rear speaker at a reduced volume.

SCHEMATIC



SERVICE PARTS LIST

Service Part No.	Description
7262304	Bezel
7263653	Grille
7262190	Knob - Speaker Control
7262270	Speaker - Rear 6" x 9" P. M.
1219861	Switch and Resistor Assy.
1220229	Connector Package (Switch to rear speaker)
1851850	Plug (Switch to output transformer)
1220230	Socket Pkg. (Switch to front speaker)

Contributed by Gene Simpson

UNITED MOTORS SERVICE

DIVISION OF GENERAL MOTORS CORPORATION

General Offices - Detroit

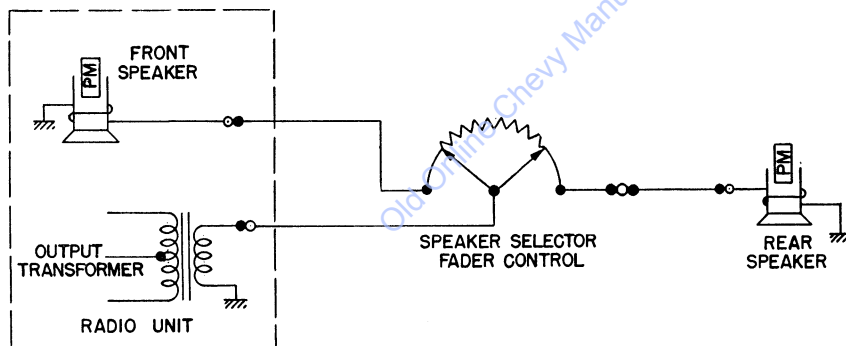


AUTO RADIO AUXILIARY SPEAKER BULLETIN

SUBJECT: SERVICE INSTRUCTIONS - 1955 CHEVROLET REAR
 SEAT SPEAKER PART NUMBER 987117

GENERAL: This rear seat speaker is to be mounted on the rear package shelf. It is operated in conjunction with the radio unit and is controlled by the switch which is mounted on the instrument panel. This is a "fader" type control which permits continuous variation of the relative volume of the front and rear speakers.

SCHEMATIC



SERVICE PARTS LIST

Service Part No.	Description
*7265808	Grille
*1990777	Knob - Control
*7265149	Knob - Dummy
*7265391	Knob - Escutcheon
*7265117	Knob - Escutcheon Backplate
*7265350	Switch - Fader Control
1220229	Connector Package

*Parts first used in 1955.

Contributed by Gene Thompson



UNITED MOTORS SERVICE

DIVISION OF GENERAL MOTORS CORPORATION

General Offices - Detroit

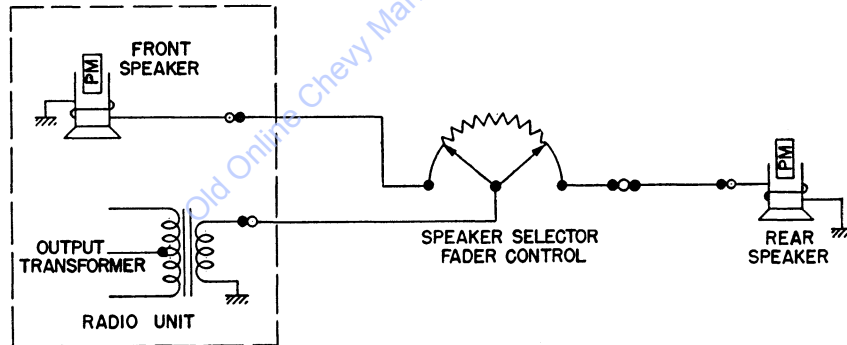
Bulletin 6D-652
Chevrolet Rear Seat
Date: 1-1-56
Page: FIRST ISSUE 4

AUTO RADIO AUXILIARY SPEAKER BULLETIN

SUBJECT: SERVICE INSTRUCTIONS - 1956 CHEVROLET REAR
SEAT SPEAKER PART NUMBER 987363

GENERAL: This rear seat speaker is mounted on the rear package shelf. It is operated in conjunction with the radio unit and is controlled by the switch which is mounted on the instrument panel. This is a "fader" type control which permits continuous variation of the relative volume of the front and rear speakers.

SCHEMATIC



SERVICE PARTS LIST

Service Part No.	Description
*7267629	Grille
*1990825	Knob - Control
7265149	Knob - Dummy
7265391	Escutcheon - Knob
7265117	Escutcheon Backplate - Knob
7265347	Speaker - Rear 6" x 9" P.M.
7265350	Switch - Fader Control
1220229	Connector Package

*Parts first used in 1956.

Contributed by Gene Thompson



UNITED MOTORS SERVICE

DIVISION OF GENERAL MOTORS CORPORATION

General Offices - Detroit

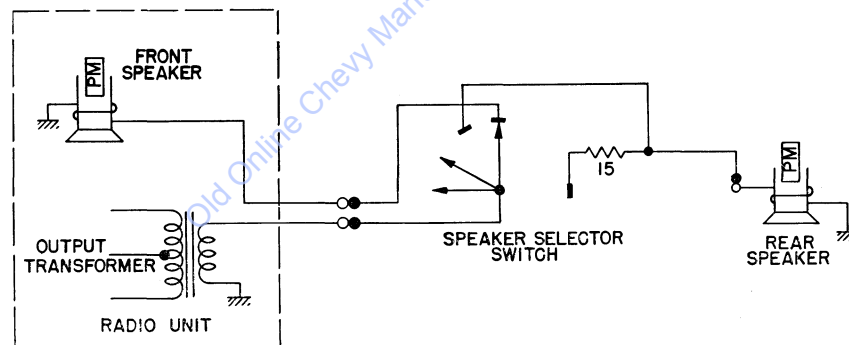
Bulletin 6D-652
Chevrolet Rear Seat
Speakers 2-1-53
Date: 2-1-53
Page: 2

AUTO RADIO AUXILIARY SPEAKER BULLETIN

**SUBJECT: SERVICE INSTRUCTIONS - 1953 CHEVROLET REAR
SEAT SPEAKER PART NUMBER 986694**

GENERAL: This rear seat speaker is to be mounted on the rear package shelf. It is operated in conjunction with the radio unit and is controlled by the switch which is mounted on the instrument panel. This is a four position switch which permits use of either speaker separately, both simultaneously with the same volume, or both simultaneously with the rear speaker at a reduced volume.

SCHEMATIC



SERVICE PARTS LIST

Production Part No.	Service Part No.	Description
*7262304	*7262304	Bezel
*7263653	*7263653	Grille
*7262190	*7262190	Knob - Speaker Control
*7262270	*7262270	Speaker - Rear 6" x 9" P. M.
1219861	1219861	Switch and Resistor Assy.
*1220229	*1220229	Connector Package (Switch to rear speaker)
1851850	1851850	Plug (Switch to output transformer)
*1220230	*1220230	Socket Pkg. (Switch to front speaker)

*First Used In 1953.