



UNITED MOTORS SERVICE

DIVISION OF GENERAL MOTORS CORPORATION
GENERAL OFFICES—DETROIT

AUTO RADIO BULLETIN

Bulletin	6D-840
Chevrolet	985793
Date:	9-1-46
Page	1

SUBJECT — SERVICE INSTRUCTIONS CHEVROLET

1946 MODEL 985793

GENERAL

MOUNTING—All 1946 Chevrolet Cars

TUBES—Six.

SPEAKER—6" x 9" Elliptical Electrodynamic.

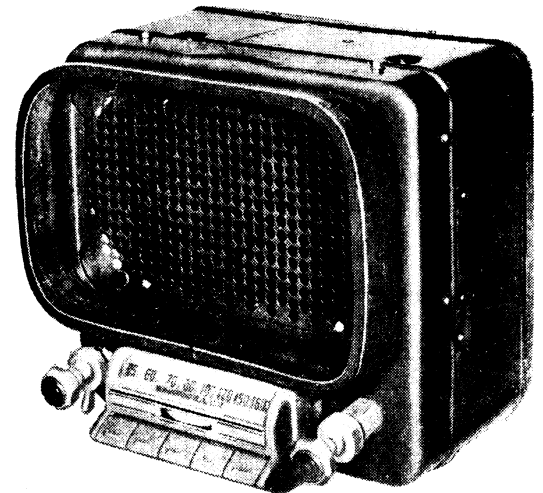
TUNING—Manual and 5 P. B. Mechanical.

CAR ANTENNA CAPACITY—.000035-.000090 Mfd.

TUNING RANGE—550-1600 KC.

PUSH BUTTON SET-UP

Unlatch plastic button and loosen the reset screw. Depress screw to bottom position and using manual tuning knob, bring in the desired station. Tighten reset screw and replace plastic button in normal position.



MODEL 985793

ALIGNMENT PROCEDURE

Volume Control Maximum.

Signal generator output set to minimum.

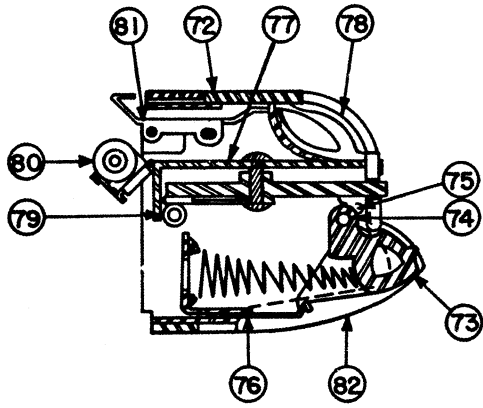
Series Condenser Or Dummy Antenna	Connect To	Signal Generator Frequency	Tune Receiver To	Adjust Screws In Order
0.1 Mfd.	6SA7 Pin #8	262 KC	No broadcast Signal	A B C D
.000060 Mfd.	Antenna Connector	1615 KC	Extreme H. F. end of dial	*E F G
.000060 Mfd.	Antenna Connector	1400 KC	Signal generator	J K
.000060 Mfd.	Antenna Connector	1615 KC	Extreme H. F. end of dial	F G
.000060 Mfd.	Antenna Connector	1400 KC	Signal generator	J K

*Before making this adjustment check setting of oscillator core "H" with pointer against high frequency stop. The iron core should extend $\frac{1}{16}$ " from the end of the oscillator coil form. (From front of core proper to front of coil form.)

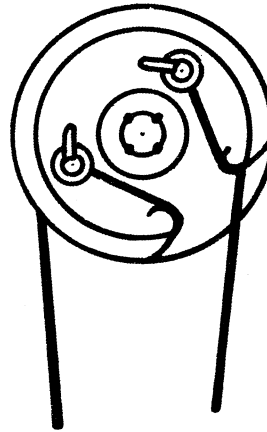
Should it be necessary to calibrate the pointer after this adjustment, tune signal generator to 800 KC and the receiver to the signal. Loosen dial cord pulley set screws and adjust the pointer to 800 KC. Re-tighten set screws.

When radio is installed, adjust trimmer "G" to match car antenna at approximately 1400 KC.

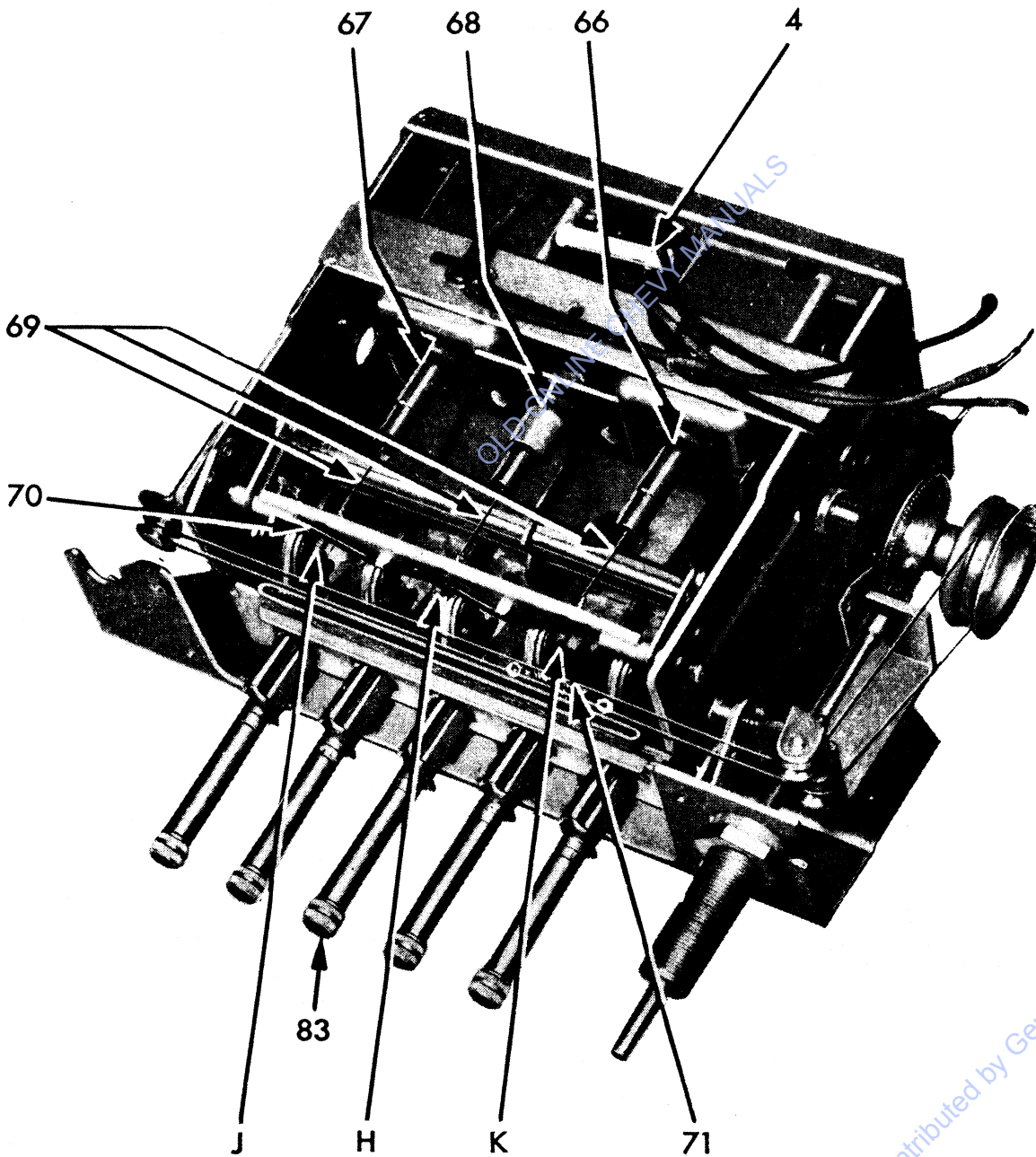
Contributed by The Thomas Group



ESCUTCHEON CROSS SECTION



DIAL STRING
PULLEY DRAWING



TUNER PICTURE



UNITED MOTORS SERVICE

DIVISION OF GENERAL MOTORS CORPORATION

GENERAL OFFICES—DETROIT

AUTO RADIO BULLETIN

BULLETIN 6 D-840
Chevrolet 985796

Date: 4-3-50
Page 5

Supersedes Pgs. 5&6
Of Issue Dated
9-1-46

SERVICE PARTS LIST

CONDENSERS

Illus. No.	Service Part No.	Description	Illus. No.	Service Part No.	Description
1	7242013	Antenna Trimmer	11	E602	.006 Mfd. 1600 V. Tubular
2	7242454	Dual, R. F. & Osc. Trimmer	12	E503	.05 Mfd. 600 V. Tubular
3	G270	*.000030 Mfd. Mica (in R. F. Can)	13	E503	.05 Mfd. 600 V. Tubular
4	7242523	*.000125 Mfd. Compensating	14	E503	.05 Mfd. 600 V. Tubular
5	7240738	.00075 Mfd. 400 V. Tubular	15	M908	Electrolytic-3 Section
6	E102	.001 Mfd. 800 V. Tubular	15A		20 Mfd. 25 V.
7	E102	.001 Mfd. 800 V. Tubular	15B		20 Mfd. 400 V.
8	E402	.004 Mfd. 800 V. Tubular	15C		20 Mfd. 400 V.
9	E502	.005 Mfd. 600 V. Tubular	16	G101	.000100 Mfd. Molded
10	E502	.005 Mfd. 600 V. Tubular	17	G101	.000100 Mfd. Molded

* Included in Tuner Assy. Part No. 7242496.

RESISTORS

26	A101	100 Ohms $\frac{1}{2}$ W. Insulated	33	A223	22,000 Ohms $\frac{1}{2}$ W. Insulated
27	B221	220 Ohms 1 W. Insulated	34	A224	220,000 Ohms $\frac{1}{2}$ W. Insulated
28	B391	390 Ohms 1 W. Insulated	35	A224	220,000 Ohms $\frac{1}{2}$ W. Insulated
29	C272	2,700 Ohms 2 W. Insulated	36	A334	330,000 Ohms $\frac{1}{2}$ W. Insulated
30	B562	5,600 Ohms 1 W. Insulated	37	A105	1 Megohm $\frac{1}{2}$ W. Insulated
31	B103	10,000 Ohms 1 W. Insulated	38	A225	2.2 Megohm $\frac{1}{2}$ W. Insulated
32	C153	15,000 Ohms 2 W. Insulated	39	A156	15 Megohm $\frac{1}{2}$ W. Insulated
			40	A564	560,000 Ohms $\frac{1}{2}$ W. Insulated

MISCELLANEOUS ELECTRICAL PARTS

50	6111	Speaker 6-3/8 x 9-1/4 Elliptical	56	7240251	Antenna Choke Coil
51	7255881	Power Transformer Assembly Compl.	57	8542	Vibrator - Non Synchronous
52	7242258	Output Transformer Assembly	58	7242259	Volume, Tone Control and Switch
53	7257988	First I. F. Transf. Assy. Complete	59	7242204	Sensitivity Control
54	1218450	2nd I.F. Transf. Assy. Complete	60	7240797	Spark Plate Choke & Connector Assy.
55	7241708	"A" Filter Choke			

MISCELLANEOUS CHASSIS PARTS

	Speaker Cable and Plug	7236279	Octal Base Tube Socket
7241179	Volume Control Cable	7242273	Speaker Plug Socket
7242162	Antenna Lead Assembly	7239125	Vibrator Socket

TUNER UNIT AND PARTS

7242496	Tuner Assy. Complete (Tuner Complete Less Escutcheon Unit Assy. & Reset Screws)	72	7242469	Escutcheon Unit Assembly	
66	7242433	Antenna Coil Assembly	73	7256026	Tuner Button Parts Package
67	7242433	R.F. Coil Assembly	74		Push Buttons - 5
	7241870	Grommet - Ant. and R.F. Coil	75		Button Shaft
	7242183	Grommet - Osc. Coil	76	7242951	Spacer Washers - 4
68	7242524	Oscillator Coil Assembly	77	7242951	Spring and Plate Assembly
3	G270	Condenser - Mica .000030 Mfd.	78	7242362	Dial, Dimmer and Bracket Assembly
4	7242523	Cond. .000125 Mfd. Compensating	79	7242174	Calibrated Dial
69	7242251	Iron Core and Stud	79	7242161	Dimmer Coil - Dial Light
70	7242198	Spring Wire	80	7242328	Dial Light Socket
71	6040	Pointer Cord Assembly		55	Lamp - Dial Light
	1217323	Spring - Slide Return	81	7242327	Pointer and Carriage Assembly
			82	7242329	Escutcheon Shell and Trim Plate
			83	7256926	Reset Screw

TUBE COMPLEMENT

5229	6SK7	R. F. Amplifier	5231	6SQ7	Detector, A.V.C. & 1st Audio
5222	6SA7	Oscillator Modulator	5241	6V6GT	Output
5229	6SK7	I.F. Amplified	5003	OZ4	Rectifier

(OVER)

Contributed by Gene Simpson

SERVICE PARTS LIST - Cont'd.

MOUNTING AND INSTALLATION PARTS

<u>Illus. No.</u>	<u>Service Part No.</u>	<u>Description</u>
	7239003	Serrated Mounting Block
	7239266	Serrated Case Mounting Block
	6003	Distributor Suppressor
	1888204	Rubber Nipple
	6016	Ammeter Condenser
	6015	Generator Condenser
	6009	Static Collector Assembly
	6014	Ignition Coil Condenser

<u>Illus. No.</u>	<u>Service Part No.</u>	<u>Description</u>
	6018	Coil Condenser Grounding Clip
	5274211	"A" Lead Assembly
	147685	14 Ampere Buss Fuse
	7242249	Control Knob-Volume & Manual - 2
	7242250	Dummy Knob
	7242247	Wing - Tone Control Knob
	7235969	Hex Nut ($\frac{1}{8}$ " - 28) Mounting - 2

- 0 -

(391 PD 3-50)

OLD ONLINE CHEVY MANUALS

Contributed by Gene Thompson