



UNITED MOTORS SERVICE

DIVISION OF GENERAL MOTORS CORPORATION

General Offices - Detroit

AUTO RADIO BULLETIN

Bulletin 6D-848

Chevrolet 986515

Date: 12-20-50

Page 1

**SUBJECT: SERVICE INSTRUCTIONS — CHEVROLET CUSTOM DELUXE WITH
PUSH BUTTONS — MODEL 986515**

GENERAL

MOUNTING—All 1951 Chevrolet Cars.

TUBES—Five, plus rectifier.

SPEAKER—6" x 9" Elliptical, Permanent Magnet.

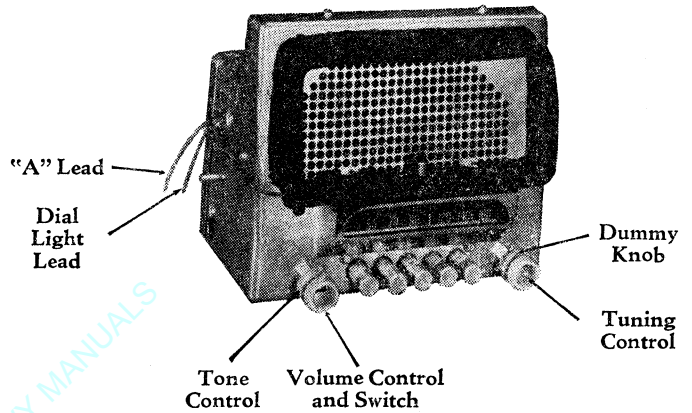
TUNING—Manual and 5 P. B. Mechanical.

ANTENNA TRIMMER COMPENSATION—For Antennas Between 0.000058 - 0.000090 Mfd.

TUNING RANGE—550-1600 KC.

PUSH BUTTON SETUP PROCEDURE

Pull Push Button to the right and out. Tune in desired station manually. Push button all the way in.



MODEL 986515

ALIGNMENT PROCEDURE

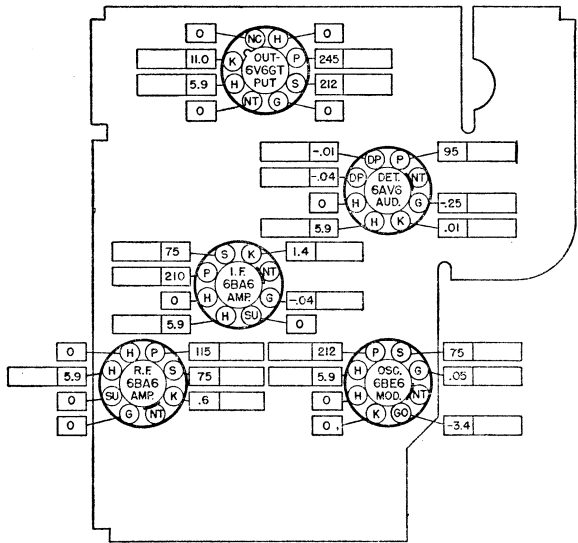
Output Meter Connections Across Voice Coil
 Generator Return To Receiver Chassis
 Dummy Antenna In Series With Generator
 Volume Control Position Maximum Volume
 Tone Control Position Treble
 Generator Output Minimum for Readable Indication

Steps	Series Condenser or Dummy Antenna	Connect Signal Generator to	Signal Generator Frequency	Tune Receiver to	Adjust in Sequence For Max. Output
1	0.1 Mfd.	6BE6 Grid (Pin #7)	260 KC	High Frequency Stop	A, B, C, D
2	0.000068 Mfd.	Antenna Connector	1615 KC	High Frequency Stop	*E, F, G
3	0.000068 Mfd.	Antenna Connector	1400 KC	Signal Generator Signal	J, K
4	0.000068 Mfd.	Antenna Connector	1615 KC	High Frequency Stop	F, G
5	0.000068 Mfd.	Antenna Connector	1000 KC	Signal Generator Signal	L**

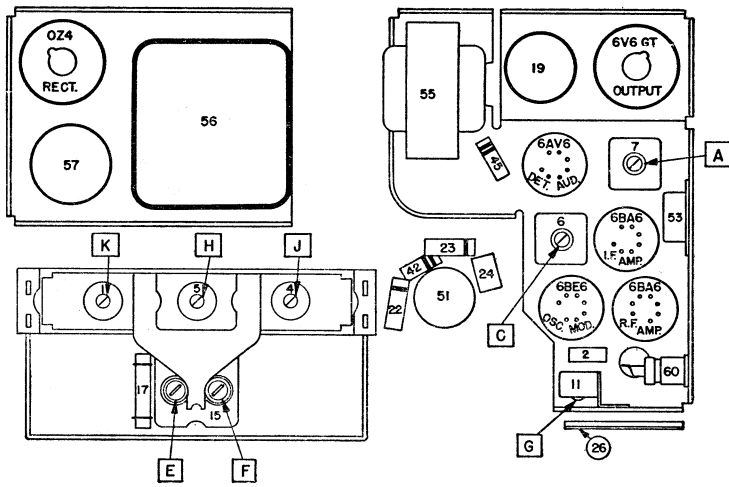
*Before making this adjustment check mechanical setting of oscillator core "H." The rear of the core should be 1 25/32" from the mounting end of the coil form. (This measurement is readily made by inserting a suitable plug in the mounting end of the coil form.) If adjustment is necessary, first dissolve the glyptal seal on the core studs. Core adjustments should be made with an insulated screw driver, and core studs should be cemented in place with glyptal or household cement after alignment.

**L is the pointer adjustment screw which is on the connecting link, between the pointer assembly and core guide bar (See tuner Dwg.). It should be adjusted so that when looking directly at the dial the pointer is on the 1000 KC mark. This setting is to give the correct relationship between the pointer and the dial when the radio is installed in a car.

With the radio installed and the car antenna plugged in adjust the antenna trimmer "G" for maximum volume with the radio tuned to a weak station between 600 and 1000 KC (see sticker on case).



TUBE SOCKET VOLTAGE CHART

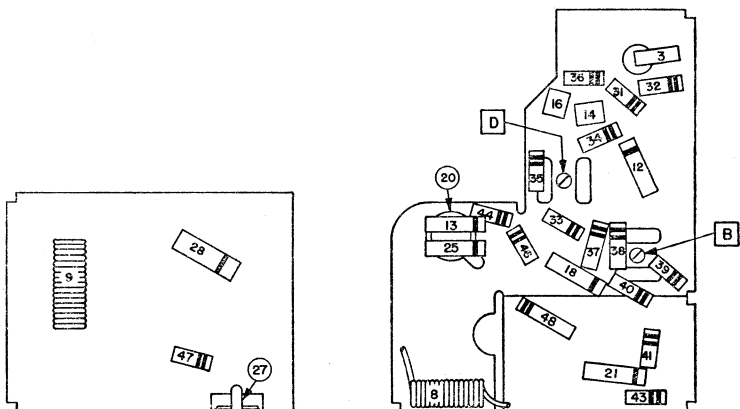


PARTS LAYOUT — TUBE VIEW

The tube socket voltages, as measured at the factory and under the conditions shown on the schematic diagram on page 3 are shown above. The blank spaces are provided so the service man may fill in the actual voltage readings as taken with his own equipment. A normal operating radio should be used for these measurements.

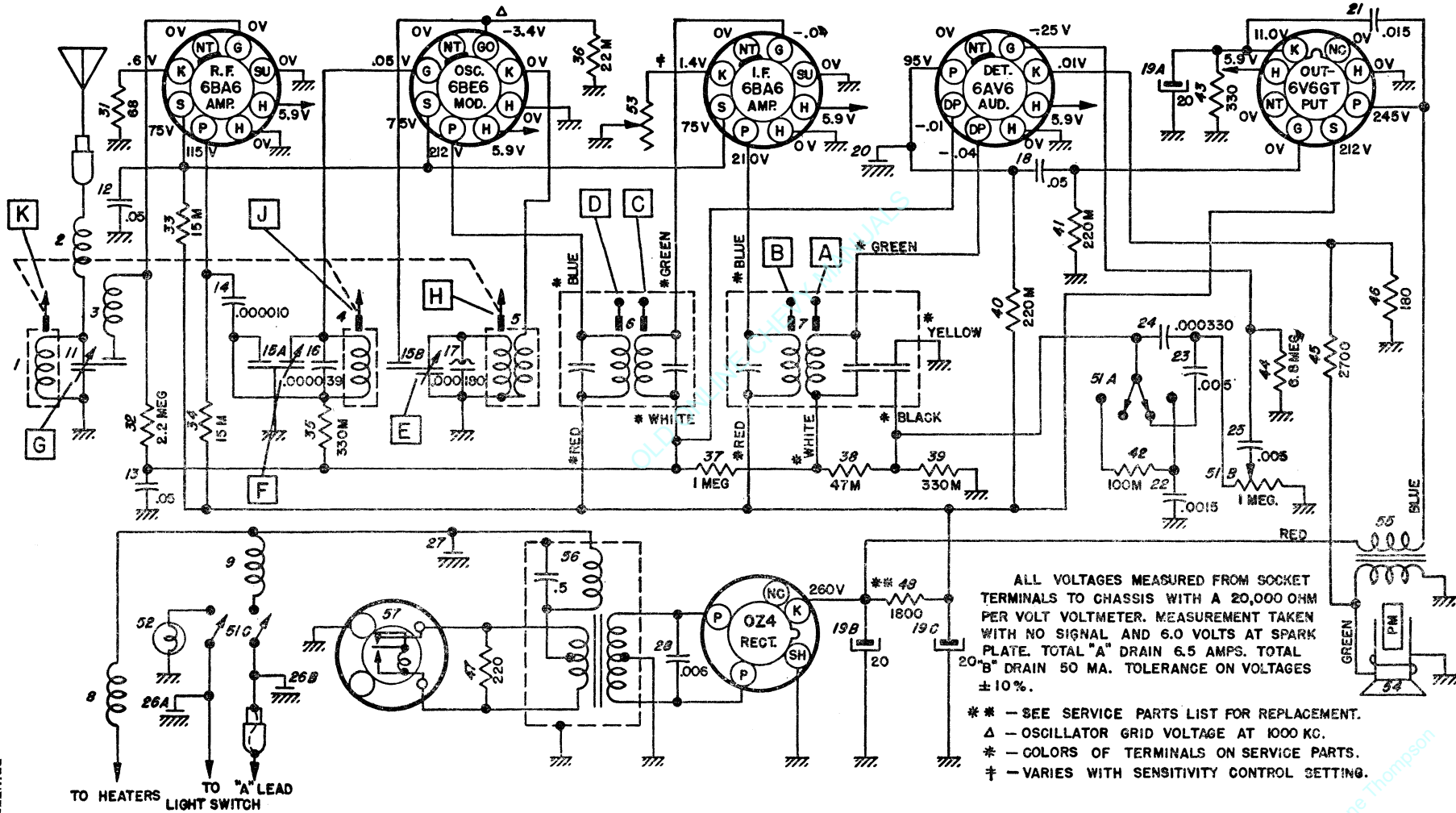
VOLTMETER RESISTANCE.....OHMS PER VOLT
 READINGS TAKEN WITH.....VOLTS AT SPARK PLATE

Voltage measured from socket terminals to chassis and are positive unless marked otherwise.



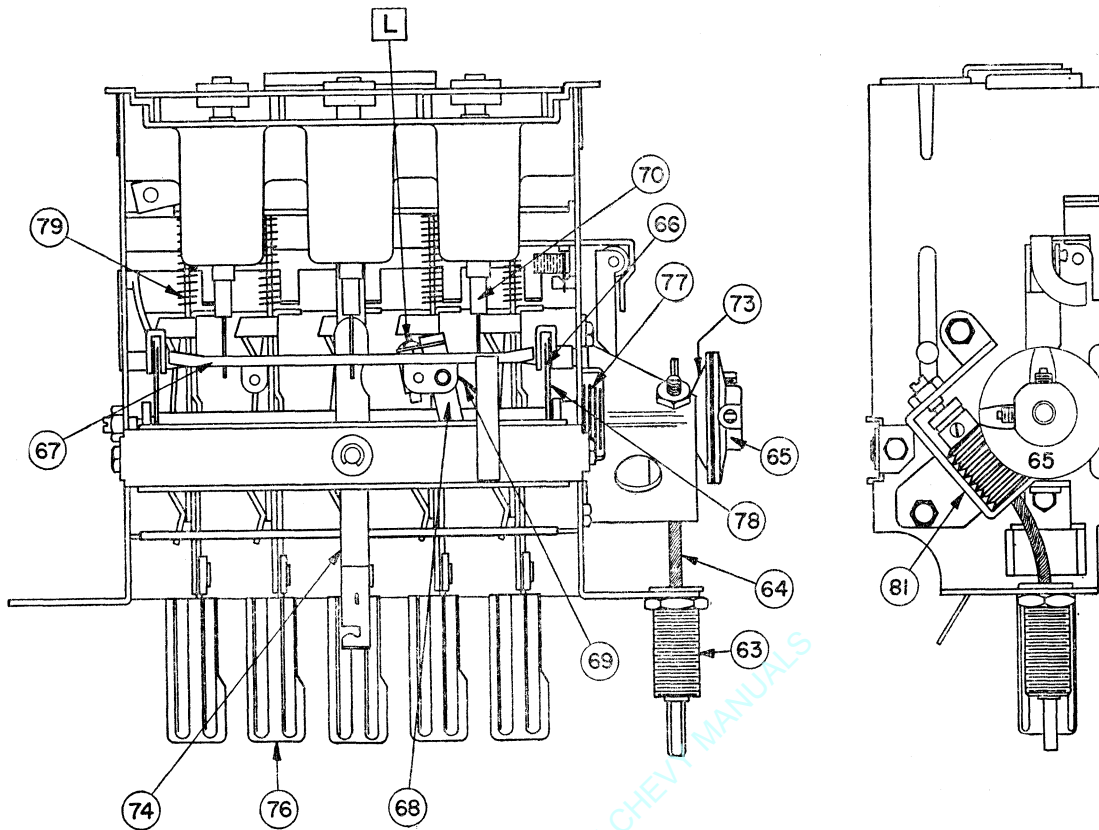
PARTS LAYOUT — CHASSIS VIEW

Contributed by Gene Thompson

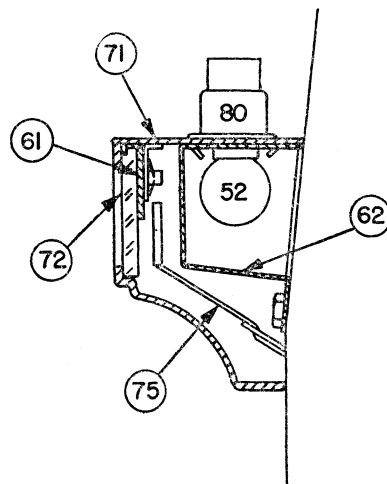


CHEVROLET 986515

Contributed by Gene Thompson



TUNER



ESCUTCHEON CROSS SECTION

NOTE: FOR COMPLETE SERVICE INFORMATION ON THE PUSH-PULL LOCK-UP TUNER
SEE BULLETIN 6D-619

Contributed by Gene Thompson

SERVICE PARTS LIST

Illus. No.	Production Part No.	Service Part No.	Description
ELECTRICAL PARTS			
Coils			
1	7258914	7258914	Antenna
2	7255738	7255738	Antenna Series Choke
3	7240251	7240251	Antenna Spark Choke
4	7258914	7258914	R.F.
5	7258911	7258911	Oscillator
6	7258188	1218725	1st I.F.
7	7258198	1218726	2nd I.F.
*8	7260470	*7260470	Hash Choke
*9	7260090	*7260090	Spark Choke
Condensers			
*11	7260172	*7260172	Antenna Trimmer
12	7236841	6537	.05 mfd 400V Tubular
13	7236842	6537	.05 mfd 200V Tubular
14	1218371	G 100	.000010 mfd Molded
15	7242454	7242454	Dual Trimmer
15A			R.F. Section
15B			Oscillator Section
16	7258221	G 390	.000039 mfd Molded
17	7257424	7257424	.000180 mfd Compensating
18	7258125	6537	.05 mfd 400V Tubular
*19	7260065	*7260065	Electrolytic
19A			20 mfd 25V
19B			20 mfd 400V
19C			20 mfd 400V
20	1217848	1217848	Chassis Plate Condenser
21	1219693	1219693	.015 mfd 800V Tubular
22	1218499	1218499	.0015 mfd 200V Tubular
23	1216558	6531	.005 mfd 600V Tubular
24	7244063	G 331	.000330 mfd Molded
25	1216558	6531	.005 mfd 600V Tubular
26	1219369	1219369	Dual Spark Plate
27	1217848	1217848	Chassis Plate Condenser
28	7240906	H 602	.006 mfd 1600V Tubular
Resistors			
31	1219677	1215558	68 ohms 1/2W Insulated
32	1211147	A 225	2.2 Megohms 1/2W Insulated
33	1219678	C 153	15,000 ohms 2W Insulated
34	1211091	B 153	15,000 ohms 1W Insulated
35	7240732	A 334	330,000 ohms 1/2W Insulated
36	1211192	A 223	22,000 ohms 1/2W Insulated
37	7238873	A 105	1 Megohm 1/2W Insulated
38	7240731	A 473	47,000 ohms 1/2W Insulated
39	7240732	A 334	330,000 ohms 1/2W Insulated
40	1213479	A 224	220,000 ohms 1/2W Insulated
41	1213479	A 224	220,000 ohms 1/2W Insulated
42	1213270	A 104	100,000 ohms 1/2W Insulated
43	7233773	B 331	330 ohms 1W Insulated
44	7241937	A 685	6.8 Megohms 1/2W Insulated
45	1213240	1213240	2700 ohms 1/2W Insulated
46	1215559	1215559	180 ohms 1/2W Insulated
47	7237994	B 221	220 ohms 1W Insulated
48	1214573	{ C 272	1800 ohms 2W Wire Wound (Replace with
		{ B 562	2700 ohms 2W and 5600 ohm 1W in parallel)
Tubes			
	1217690	5252	6BA6
	1217691	5253	6BE6
	1218506	5262	6AV6
	1213793	5241	6V6GT
	1211924	5003	0Z4

Contributed by Gene Thompson

SERVICE PARTS LIST

Illus. No.	Production Part No.	Service Part No.	Description
Miscellaneous Electrical			
*51 51A 51B 51C	7260084	*7260084	Control - Volume, Tone & Switch Tone Control Volume Control Switch
52	125588	55	Lamp - Dial
53	7242204	7242204	Sensitivity Control
*54	7260008	*7260008	Speaker 6 x 9 Elliptical P.M.
*55	7260060	*7260060	Transformer - Output
56	7260100	6060	Transformer - Power
57	7239124	8542	Vibrator

MECHANICAL PARTS

Chassis

60	7239475	7239475	Socket - Antenna
	7258073	7258073	Socket 7-Pin Miniature
	7236279	7236279	Socket Octal Tube
	7239125	7239125	Socket Vibrator

Tuner

*62	7260018	*7260018	Backplate-Pointer
	147481	147481	Ball Bearings (10)
*63	7260097	*7260097	Bushing & Manual Dr. Shaft Assy.
*64	7260068	*7260068	Manual Drive Shaft
65	7258072	7258072	Clutch Disc-Driven
66	7258203	7258203	Connecting Link Core Bar
67	7258210	7258210	Core Guide Bar
68	7256271	7256271	Pointer Connecting Link
69	7255992	7255992	Spring - Pointer Connecting Link
70	7258468	7258468	Core Iron Tuning
*71	7260076	*7260076	Escutcheon Assy.
*61	7260658	*7260658	Dial - Backplate
*72	7260080	*7260080	Dial Pkg.
*73	7260064	*7260064	Gear and Bushing - Clutch
*74	7260074	*7260074	Pointer Assy.
*75	7260093	*7260093	Pointer Tip
*76	1219742	*1219742	Push Button and Slide Assy.
77	7258756	7258756	Spring - Clutch
78	7257415	7257415	Spring - Core Bar Connecting Link
79	7255984	7255984	Spring Slide Return
*80	1219743	*1219743	Socket Dial Light
*81	7260061	*7260061	Worm Gear and Bracket

INSTALLATION PARTS

1917580	6030	Condenser - Ammeter
1910195	6030	Condenser - Generator
1910147	6030	Condenser - Ignition Coil
1917580	6030	Condenser - Regulator
1887829	6003	Distributor - Suppressor
147685	147685	Fuse
7257921	1218728	Fuse Holder
7259733	*7259733	Knob - Control
7259734	*7259734	Knob - Dummy
7259738	*7259738	Knob - Tone Control
7259736	*7259736	Mounting Bracket Left Hand
7259735	*7259735	Mounting Bracket Right Hand
7259940	*7259940	Mounting Bracket - Fire Wall
1888204	1888204	Rubber Nipple - Suppressor
7257984	7257984	Serrated Pad
7259941	*7259941	Spacer Mounting
494786	6009	Static Collector
7259737	*7259737	Trim Plate

* Parts First Used in 1951