



UNITED MOTORS SERVICE

DIVISION OF GENERAL MOTORS CORPORATION

GENERAL OFFICES—DETROIT

Bulletin 6 D-849
Chevrolet 986516

Date: 12-26-50
Page 1

FIRST ISSUE

AUTO RADIO BULLETIN

SUBJECT--SERVICE INSTRUCTIONS - CHEVROLET 1951
MODEL 986516 - CUSTOM DELUXE AUTO RADIO

GENERAL

MOUNTING All 1951 Chevrolet Cars

TUBES Five, plus Rectifier

SPEAKER 5"x7" Permanent Magnet

TUNING Manual

ANTENNA TRIMMER COMPENSATION For Antennas Between 0.000060 - 0.000090 Mfd.

TUNING RANGE 540 - 1610 KC.

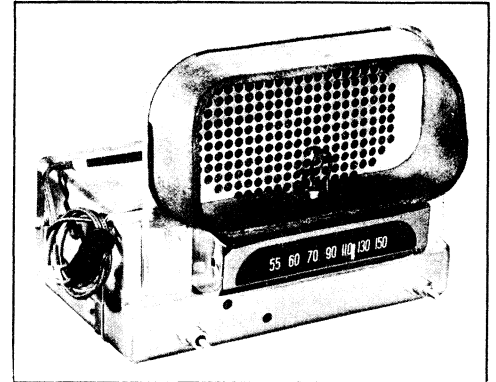


Figure 34 - MODEL 986516

ALIGNMENT PROCEDURE:

Output Meter Connection Across Voice Coil
 Generator Return To Receiver Chassis
 Dummy Antenna In Series With Generator
 Volume Control Position Maximum Volume
 Tone Control Position Treble
 Generator Output Minimum for Readable Indication

Steps	Series Condenser or Dummy Antenna	Connect To	Signal Generator Frequency	Tune Receiver To	Adjust In Sequence For Max. Output
1	0.02 Mfd.	6BE6 Grid (Pin #7)	257.5 KC.	High Frequency Stop	A, B, C, D
2	0.000075 Mfd.	Antenna Connector	1610 KC.	High Frequency Stop	E, F, G
3	0.000075 Mfd.	Antenna Connector	1400 KC.	Signal Generator Signal	*H, J, K
4	0.000075 Mfd.	Antenna Connector	1610 KC.	High Frequency Stop	**F, G

* This alignment procedure is to be used only when the tuner unit with the antenna, radio frequency, oscillator coils and tuning cores have been changed. Tune Signal Generator to exactly 1400 kilocycles, tune radio receiver to exactly 1400 on the dial and adjust iron cores "H, J and K" for maximum reading on output meter scale. (NOTE: The front end of the iron cores are slotted so that these adjustments can be made with a non-metallic screw driver that fits loosely in the coil form.)

** Repeat alignment procedure at 1610 and 1400 kilocycles until the maximum reading has been attained at 1610 and 1400 kilocycles adjustments.

With the radio installed and the car antenna plugged in, adjust the antenna trimmer "G" for maximum volume with the radio tuned to a weak station near 1400 KC.

Contributed by G. Thompson

SUBJECT--SERVICE INSTRUCTIONS - CHEVROLET 1951
MODEL 986516 - CUSTOM DELUXE AUTO RADIO - Cont'd.

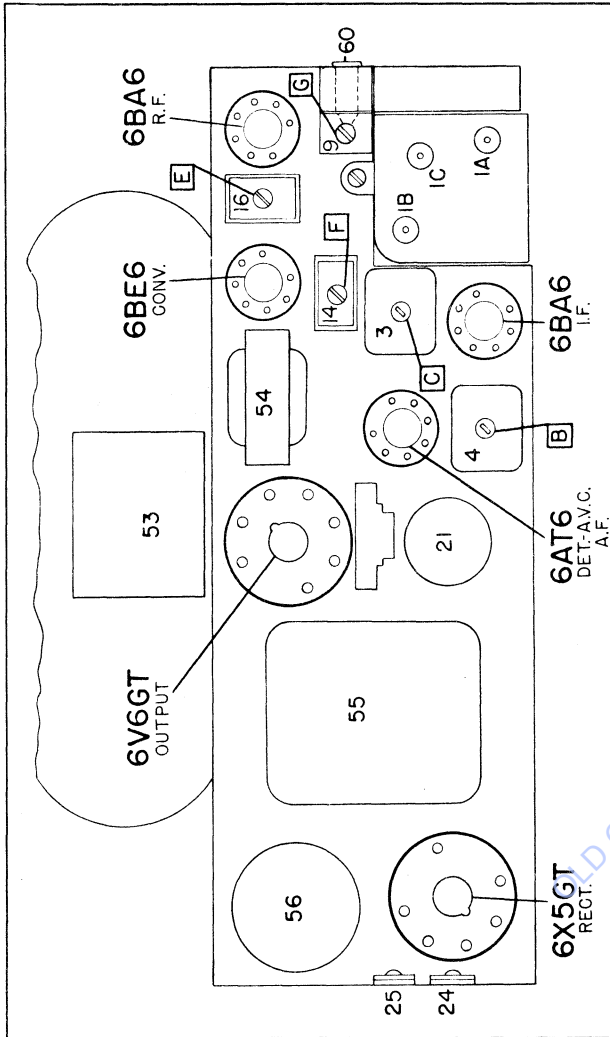


Figure 38.
PARTS LAYOUT-TUBE VIEW

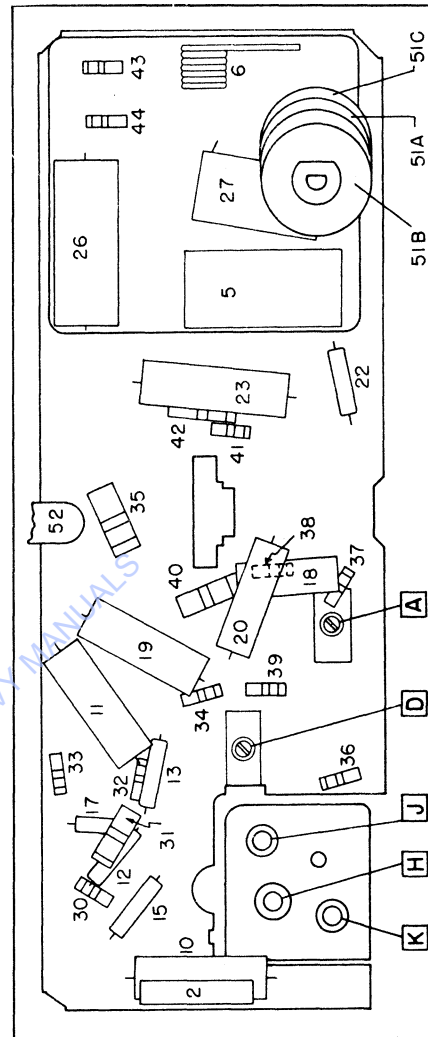


Figure 39.
PARTS LAYOUT-CHASSIS VIEW

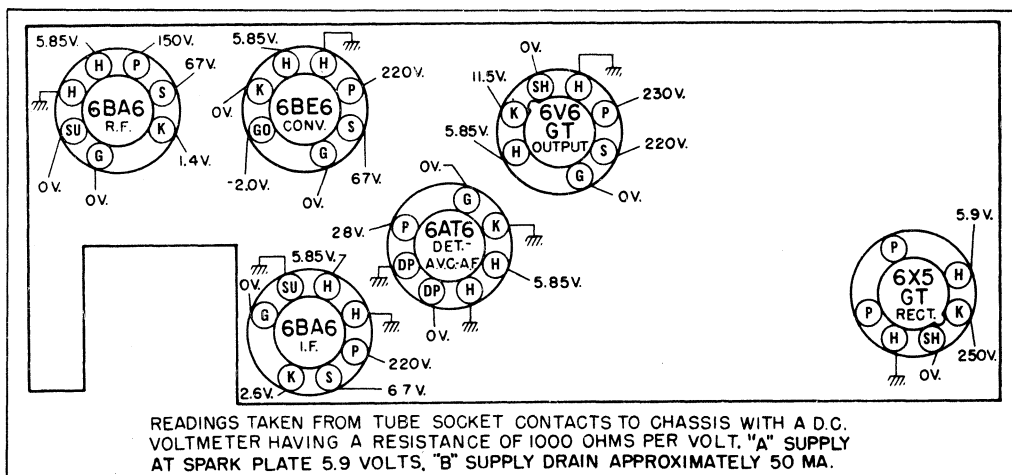


Figure 37.
TUBE SOCKET VOLTAGE CHART



UNITED MOTORS SERVICE

DIVISION OF GENERAL MOTORS CORPORATION

GENERAL OFFICES—DETROIT

Bulletin
Chevrolet

6 D-849
986516

AUTO RADIO BULLETIN

SUBJECT - SERVICE INSTRUCTIONS - CHEVROLET 1951
MODEL 986516 - CUSTOM DELUXE AUTO RADIO - Cont'd.

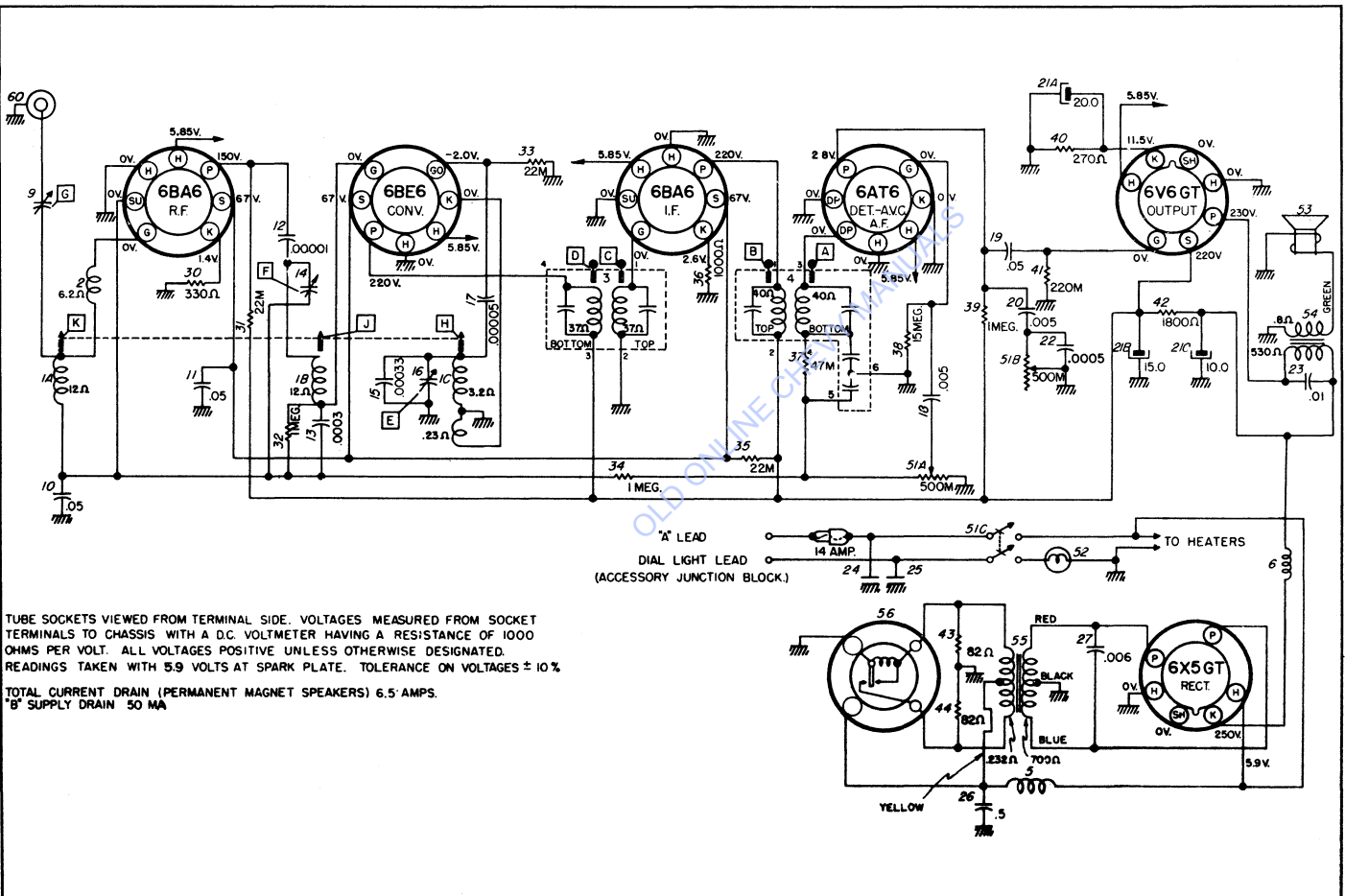


Figure 43.
MODEL 986516

(2072 PD 12-50)

(OVER)

(Printed in U.S.A.)

Contributed by G. Thompson

Date: 12-26-50
Page 3

SUBJECT--SERVICE INSTRUCTIONS - CHEVROLET 1951
MODEL 986516 - CUSTOM DELUXE AUTO RADIO - Cont'd.

SERVICE PARTS LIST 986516 RADIO

<u>Illus.</u> <u>No.</u>	<u>Production</u> <u>Part No.</u>	<u>Service</u> <u>Part No.</u>	<u>Description</u>
<u>ELECTRICAL PARTS</u>			
<u>Coils</u>			
1	1219701	1219701	Coil Assembly - Permability Tuning
1A			Antenna Coil
1B			R. F. Coil
1C			Oscillator Coil
2	1218639	1218639	Antenna Spark Choke
3	1219702	1219702	1st I. F. Transformer
4	1219703	1219703	2nd I. F. Transformer
5	1219704	1219704	Hash Choke
6	1219705	1219705	B. Choke
<u>Condensers</u>			
9	1219706	1219706	Antenna Trimmer
10	7230592	6537	.05 mfd. 600V. Tubular
11	7230592	6537	.05 mfd. 600V. Tubular
12	1215189	G100	.0001 mfd. Molded
13	7232957	G331	.0003 mfd. Molded
14	1218636	1218636	R. F. Trimmer
15	1219566	1219566	.00033 mfd. Temperature Compensating
16	1218635	1218635	Oscillator Trimmer
17	1207625	G470	.00005 mfd. Molded
18	7230767	6531	.005 mfd. 100V. Tubular
19	7230592	6537	.05 mfd. 600V. Tubular
20	7230767	6531	.005 mfd. 400V. Tubular
21	1218009	1218009	Electrolytic Condenser
21A			20 mfd. 25V.
21B			15 mfd. 350V.
21C			10 mfd. 350V.
22	1216881	G471	.0005 mfd. Molded
23	1208600	6533	.01 mfd. 600V. Tubular
24	1219707	1219707	Spark Plate
25	1219707	1219707	Spark Plate
26	1214939	6592	.5 mfd. 100V. Tubular
27	7240906	H602	.006 mfd. 1600V. Tubular
<u>Resistors</u>			
30	1213224	A331	330 ohm 1/2W. Insulated
31	1216156	B223	22,000 ohm 1W. Insulated
32	1213282	A105	1 megohm 1/2W. Insulated
33	1214550	1214550	22,000 ohm 1/2W. Insulated
34	1213282	A105	1 megohm 1/2W. Insulated
35	7240590	C223	22,000 ohm 2W. Insulated
36	1213235	A102	1,000 ohm 1/2W. Insulated
37	1213289	A156	15 megohm 1/2W. Insulated
38	1213282	A105	1 megohm 1/2W. Insulated
39	1213846	B271	270 ohm 1W. Insulated



UNITED MOTORS SERVICE

DIVISION OF GENERAL MOTORS CORPORATION

GENERAL OFFICES—DETROIT

Bulletin 6 D-849
Chevrolet 986516

Date: 12-26-50
Page 5

AUTO RADIO BULLETIN

SUBJECT--SERVICE INSTRUCTIONS - CHEVROLET 1951
MODEL 986516 - CUSTOM DELUXE AUTO RADIO - Cont'd.

SERVICE PARTS LIST 986516 RADIO - Cont'd.

<u>Illus. No.</u>	<u>Production Part No.</u>	<u>Service Part No.</u>	<u>Description</u>
<u>ELECTRICAL PARTS - Cont'd.</u>			
<u>Resistors - Cont'd.</u>			
40	1214555	A224	220,000 ohm 1/2W. Insulated
41	1214573	C182	1,800 ohm 2W. Insulated
42	1214541	1214541	82 ohm 1/2W. Insulated
43	1214541	1214541	82 ohm 1/2W. Insulated
44	1214553	A473	47,000 ohm 1/2W. Insulated

Tubes

1217690	6BA6	6BA6 R. F. Amplifier
1217691	6BE6	6BE6 Oscillator - Modulator
1217690	6BA6	6BA6 I. F. Amplifier
1218105	6AT6	6AT6 Detector A. V. C. 1st Audio
1213793	6V6GT	6V6GT Audio Output
1213794	6X5GT	6X5GT Rectifier

MISCELLANEOUS ELECTRICAL PARTS

51	1219708	1219708	Control - Volume, Tone, Switch
51A			Volume Control
51B			Tone Control
51C			On-Off Switch
52	125588	44	Lamp - Dial (Mazda 44)
53	1219709	1219709	Speaker 5" x 7" Permanent Magnet
54	1219710	1219710	Transformer - Audio Output
55	1219711	1219711	Transformer - Power
56	7239124	8542	Vibrator

MECHANICAL PARTS

Chassis

60	1218651	1218651	Socket - Antenna Connector
	7236279	7236279	Socket - Octal Tube
	1219570	1219570	Socket - Miniature Tube
	7239125	7239125	Socket - Vibrator
	1219713	1219713	Socket - Pilot Lamp
	1219714	1219714	Case - Wraparound (Includes spark plates)
	1219586	1219586	Clip - I. F. Transformer Mtg.
	1219716	1219716	Cover - Front
	1219717	1219717	Cover - Rear

(OVER)

OLD LINE MANUALS
Contributed by G. Thompson

SUBJECT--SERVICE INSTRUCTIONS - CHEVROLET 1951
MODEL 986516 - CUSTOM DELUXE AUTO RADIO - Cont'd.

SERVICE PARTS LIST 986516 RADIO - Cont'd.

<u>Illus.</u> <u>No.</u>	<u>Production</u> <u>Part No.</u>	<u>Service</u> <u>Part No.</u>	<u>Description</u>
<u>MECHANICAL PARTS - Cont'd.</u>			
<u>Tuner</u>			
	1219718	1219718	Spring - Tension, Pointer Return
	1219719	1219719	Link - Pointer
	1219720	1219720	Pointer
	1219722	1219722	Dial
	1219723	1219723	Escutcheon
	1219724	1219724	Nut - Control Mounting
	1219725	1219725	Background - Dial
	1219727	1219727	Clip - Pointer Adjust
	1219728	1219728	Lever - Pointer
	1219731	1219731	Spring - Dial Retaining R. H.
	1219732	1219732	Spring - Dial Retaining L. H.
<u>INSTALLATION PARTS</u>			
	1219746	1219746	Package - Mounting Contains the following parts:
	1219729	1219727	Shroud - Speaker
	7257921	7757921	Body - Fuse Holder, Male
	7259735	7259735	Bracket - Receiver Mounting, R. H.
	7259736	7259736	Bracket - Receiver Mounting, L. H.
	7259940	7259940	Brace - Receiver Mounting, Rear
	1912900	6030	Condenser - Generator
	1910147	6030	Condenser - Ignition Coil
	1912900	6030	Condenser - Voltage Regulator
	494786	6009	Static Collector - Front Wheel
	147685	147685	Fuse - 14 Amperes, 25 Volt
	7259734	7259734	Knob - Dummy
	7259733	7259733	Knob - Volume, Tuning
	7259738	7259738	Knob - Tone Control
	1888204	1888204	Nipple - Suppressor
	7235969	7235969	Nut 1/2" - 28 Hex Front Panel Mtg.
	1219737	1219737	Trim Plate
	1887829	6003	Suppressor - Distributor