



# UNITED MOTORS SERVICE

DIVISION OF GENERAL MOTORS CORPORATION

General Offices - Detroit

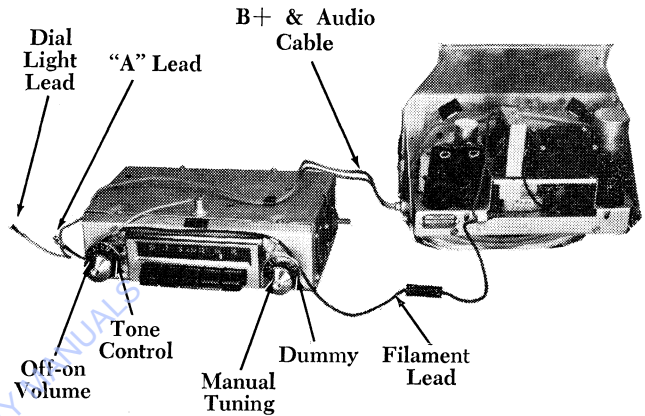
## AUTO RADIO BULLETIN

Bulletin	6D-855
Chevrolet	987087
Date	11-1-54
Page	1
FIRST ISSUE	

**SUBJECT: SERVICE INSTRUCTIONS — CHEVROLET CUSTOM DELUXE WITH PUSH BUTTONS — MODEL 987087**

### GENERAL

- MOUNTING—All 1955 Chevrolet Cars.
- TUBES—Six, plus rectifier.
- SPEAKER—6"x9" Elliptical, Permanent Magnet.
- TUNING—Manual and 5 P. B. Mechanical.
- ANTENNA TRIMMER COMPENSATION—For Antennas Between 0.000058 - 0.000090 Mfd.
- TUNING RANGE—540-1600 KC.



MODEL 987087

### PUSH BUTTON SETUP PROCEDURE

Pull Push Button to the right and out. Tune in desired station manually. Push button all the way in.

### ALIGNMENT PROCEDURE

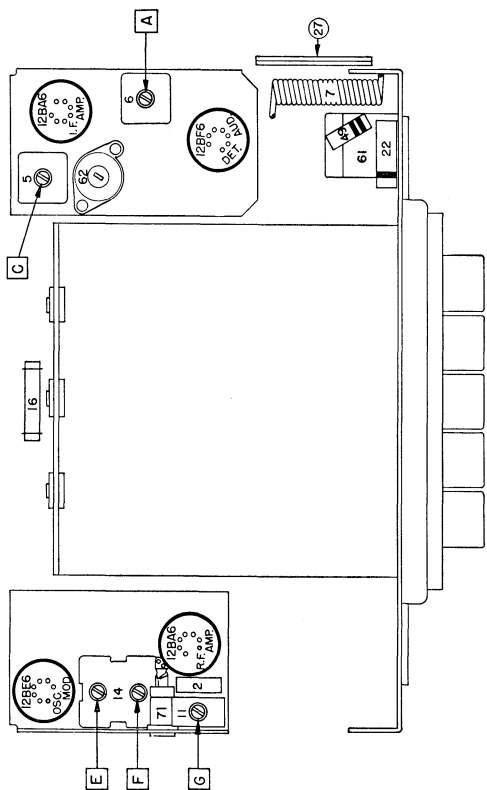
- Output Meter Connections ..... Across Voice Coil
- Generator Return ..... To Receiver Chassis
- Dummy Antenna ..... In Series With Generator
- Volume Control Position ..... Maximum Volume
- Tone Control Position ..... Middle Position
- Generator Output ..... Minimum for Readable Indication

Steps	Series Capacitor or Dummy Antenna	Connect Signal Generator to	Signal Generator Frequency	Tune Receiver to	Adjust in Sequence For Max. Output
1	0.1 Mfd.	12BE6 Grid (Pin #7)	262 KC	High Frequency Stop	A, B, C, D
2	0.000082 Mfd.	Antenna Connector	1615 KC	High Frequency Stop	*E, F, G
3	0.000082 Mfd.	Antenna Connector	1000 KC	Signal Generator Signal	J, K
4	0.000082 Mfd.	Antenna Connector	1615 KC	High Frequency Stop	F, G
5	0.000082 Mfd.	Antenna Connector	900 KC	Signal Generator Signal	L**

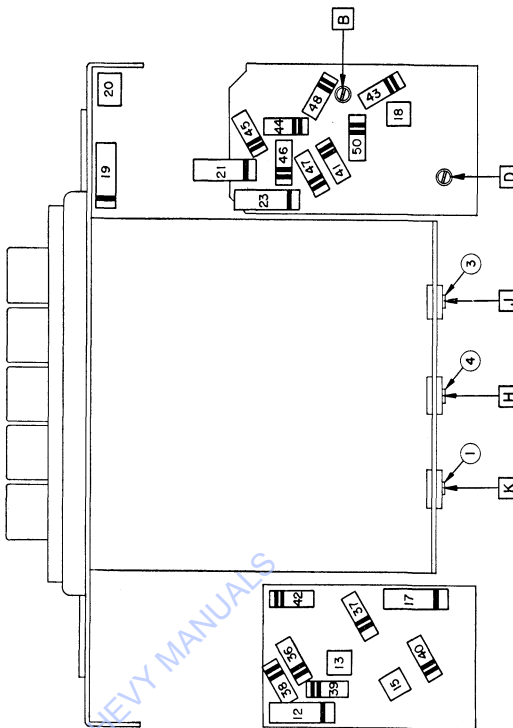
\*Before making this adjustment check mechanical setting of oscillator core "H." The rear of the core should be  $1\frac{1}{2}$ " from the mounting end of the coil form. (This measurement is readily made by inserting a suitable plug in the mounting end of the coil form.) Core adjustment should be made with an insulated screw driver.

\*\*L is the pointer adjustment screw which is on the connecting link, between the pointer assembly and core guide bar (See tuner Dwg.). It should be adjusted so that when looking directly at the dial the pointer is on the 900 KC mark. This setting is to give the correct relationship between the pointer and the dial when the radio is installed in a car.

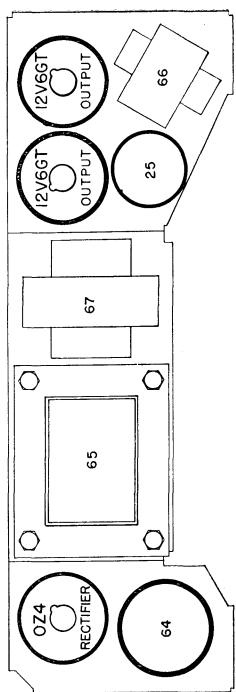
With the radio installed and the car antenna plugged in adjust the antenna trimmer "G" for maximum volume with the radio tuned to a weak station between 600 and 1000 KC (see sticker on case.)



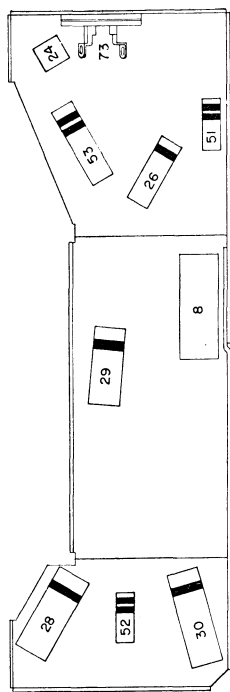
PARTS LAYOUT — TUBE VIEW



PARTS LAYOUT — CHASSIS VIEW



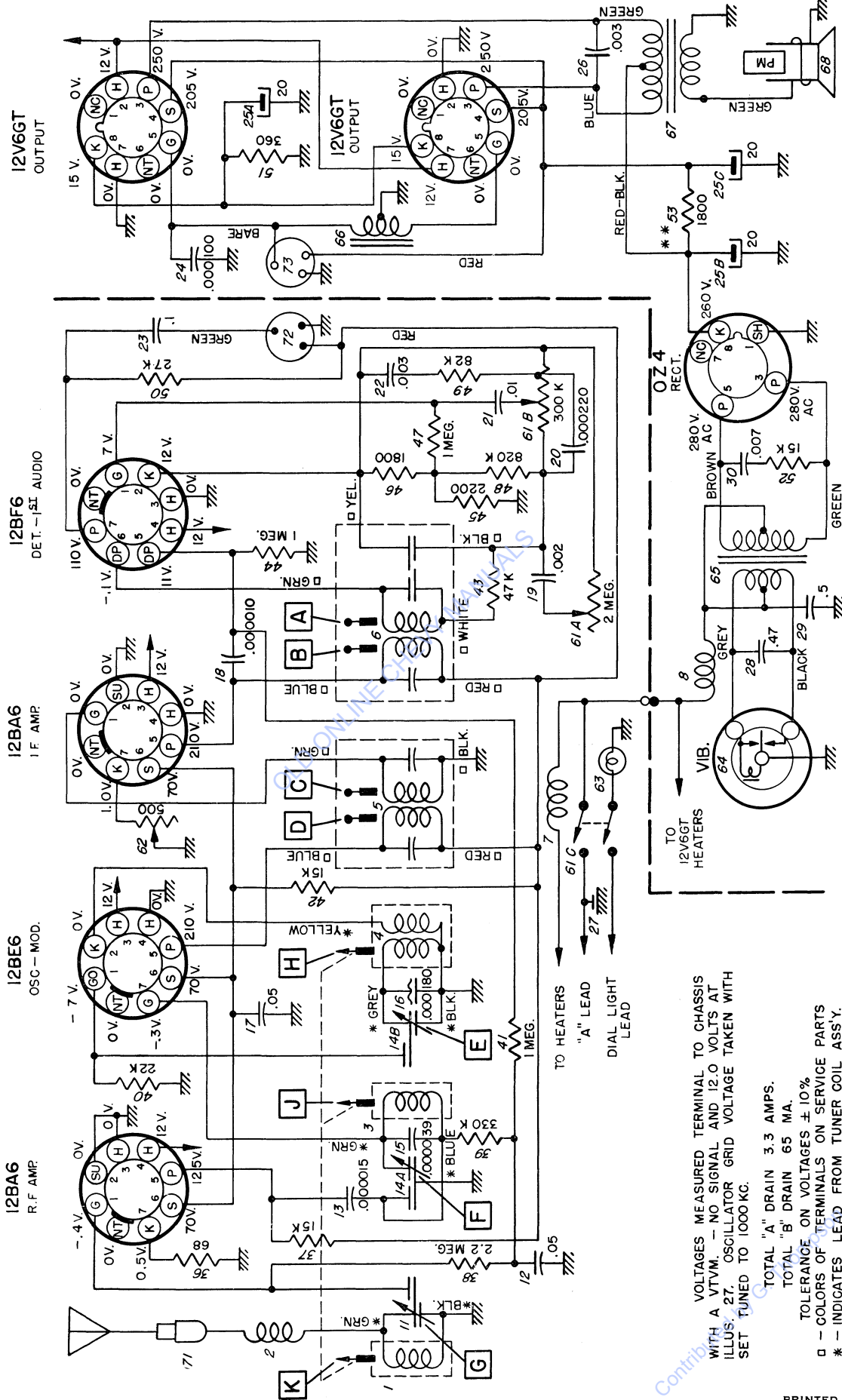
PARTS LAYOUT — TUBE VIEW (POWER SUPPLY)



PARTS LAYOUT — CHASSIS VIEW (POWER SUPPLY)

OLD ONLINE CHEVY MANUALS

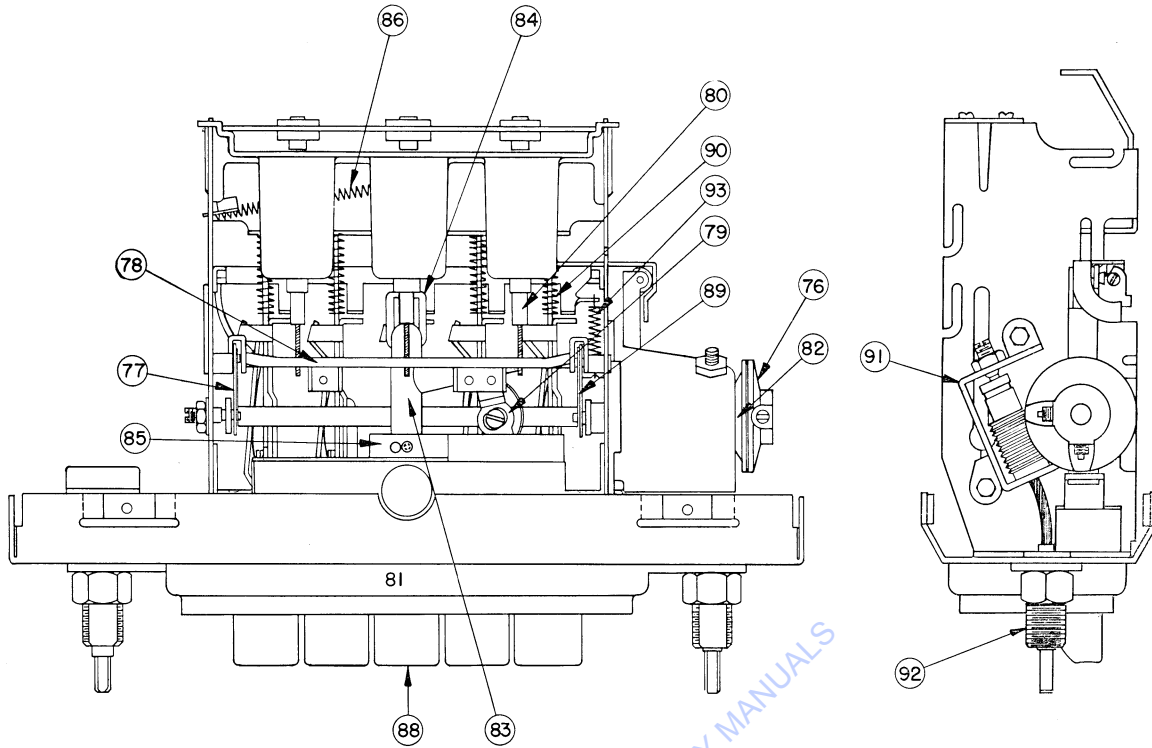
Contributed by G. Thompson



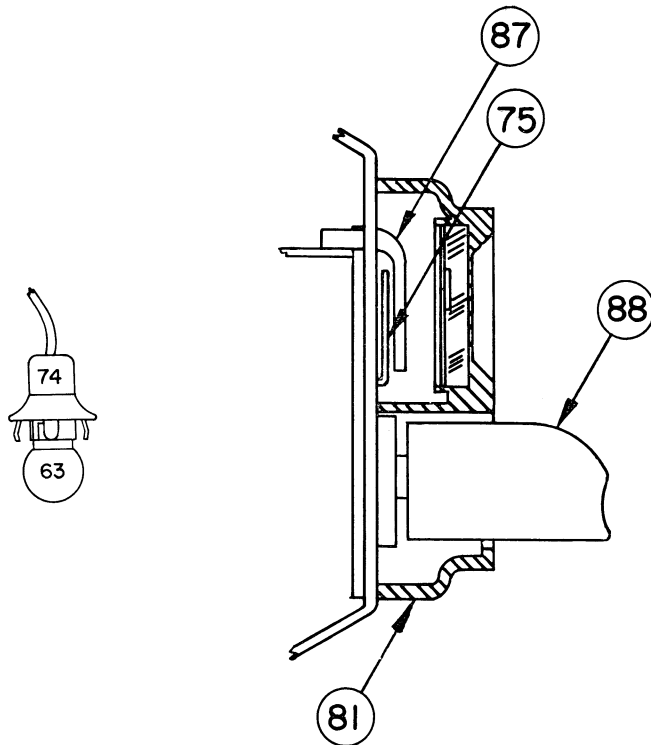
VOLTAGES MEASURED TERMINAL TO CHASSIS WITH A VTVM. — NO SIGNAL AND 12.0 VOLTS AT ILLUS. 27. OSCILLATOR GRID VOLTAGE TAKEN WITH SET TUNED TO 1000 KC.

TOTAL "A" DRAIN 3.3 AMPS.  
TOTAL "B" DRAIN 65 MA.  
TOLERANCE ON VOLTAGES ± 10%  
□ — COLORS OF TERMINALS ON SERVICE PARTS  
\* — INDICATES LEAD FROM TUNER COIL ASS'Y.  
\*\* — SEE SERVICE PARTS LIST FOR REPLACEMENT  
K — INDICATES THOUSAND FOR RESISTOR VALUES.

CHEVROLET 987087



TUNER



ESCUTCHEON CROSS SECTION

OLD ONLINE CHEVY MANUALS

Contributed by G. Thompson

## SERVICE PARTS LIST

### Chevrolet Pushbutton Model 987087

Illus. No.	Service Part No.	Description
<b>ELECTRICAL PARTS</b>		
<b>Coils</b>		
1	7258914	Antenna
2	7255738	Antenna Series Choke
3	7258914	R.F.
4	7258911	Oscillator
5	1218725	1st I.F.
6	1218726	2nd I.F.
7	1217846	Hash Choke
*8	*7265389	Power Transformer Choke
<b>Capacitors</b>		
*11	*7265255	Antenna Trimmer
12	6512	.05 mfd 400V. Tubular (†7236841)
13	G-150	.000015 mfd Molded Mica (†7238891)
14	7242454	Dual Trimmer
14A		R.F. Section
14B		Oscillator Section
15	G-390	.000039 mfd Molded Mica
16	7257424	.000180 mfd Compensating
17	6512	.05 mfd 400V. Tubular (†7236842)
18	G-100	.000010 mfd Molded Mica
19	6582	.002 mfd 600V. Tubular (†1219632)
20	G-221	.000220 mfd Molded Mica
21	6533	.01 mfd 400V. Tubular (†7238881)
22	6529	.003 mfd 600V. Tubular (†7257699)
23	6513	.1 mfd 400V. Tubular (†1219495)
24	G-101	.000100 mfd Molded Mica
25	M-908	Electrolytic (†7240724)
25A		20 mfd 25V.
25B		20 mfd 400V.
25C		20 mfd 400V.
26	H-302	.003 mfd 1000V. Tubular (†7234126)
27	1220632	Spark Plate
28	7257906	.47 mfd 100V. Tubular
29	6592	.5 mfd 100V. Tubular (†1214511)
30	H-702	.007 mfd 1600V. Buffer (†1220153)
<b>Resistors</b>		
36	1111	68 ohms ½W
37	1253	15,000 ohms 1W
38	1239	2.2 Megohms ½W
39	1229	330,000 ohms ½W
40	1215	22,000 ohms ½W
41	1235	1 Megohm ½W
42	1277	15,000 ohms 2W
43	1219	47,000 ohms ½W
44	1235	1 Megohm ½W
45	1129	2200 ohms ½W
46	1125	1000 ohms ½W
47	1235	1 Megohm ½W
48	1254	820,000 ohms ½W
49	1222	82,000 ohms ½W
50	1256	27,000 ohms 1W
51	7234563	360 ohms 1W
52	1253	15,000 ohms 1W
53	{ 1204	1800 ohms (replace with 2700 ohms
	} 1171	2W and 5600 ohms 1W in parallel)
<b>Tubes</b>		
	12BA6	12BA6
	12BE6	12BE6
	12BF6	12BF6
	12V6GT	12V6GT
	0Z4	0Z4

† Number stamped on part but not same as Service Part No.

\* Part first used in 1955.

Contributed by G. Thompson

## SERVICE PARTS LIST

### Chevrolet Pushbutton Model 987087 (con't.)

Illus. No.	Service Part No.	Description
<b>Miscellaneous Electrical Parts</b>		
61	*7265265	Control, volume, tone, and switch
61A		Tone control
61B		Volume control
61C		Switch
62	7262838	Control, Sensitivity
63		Dial light #57
64	8550	Vibrator (†1220155)
	5297949	Terminals, "A" lead and Dial Light Lead
65	6067	Transformer—Power
66	6061	Transformer, audio input
67	6063	Transformer, audio output
68	6112	Speaker 6" x 9" (†7262198)
<b>MECHANICAL PARTS</b>		
<b>Chassis</b>		
70	1220669	"A" Lead Connector Pkg.
71	7239475	Socket, antenna
	6072	Socket, 7 pin miniature
	6070	Socket, Octal Tube
	6074	Socket, Vibrator
72	1220671	Plug, inter connecting
73	7260698	Socket
74	1220668	Socket, dial light
<b>Tuner</b>		
75	7265257	Backplate, Pointer
	6080	Ball Bearings
76	7258072	Clutch, Disc, Driven
77	7258203	Connecting Link, Core Bar
78	7262462	Core Guide Bar
79	1220184	Pointer Connecting Link
80	1220355	Core, Iron Tuning
81	*7265266	Escutcheon Assembly Dial Glass (service with above ass'y.)
82	7264659	Gear and Bushing, Clutch
83	1220665	Pointer Mechanism Ass'y. Pointer and Tip Bell Crank Pointer Pivot Lever
84	7263867	Spring (flat), bell crank to pointer
85	6283	Spring (flat), bell crank to bracket on tuner
86	7265341	Spring (coil), pointer pivot lever to tuner
87	1220666	Pointer Tip (only)
88	1220667	Push Button and Slide Ass'y.
	7258756	Spring, clutch
89	7257415	Spring, core bar connecting link
90	7255984	Spring, Slide return
91	*7265243	Worm Gear and Bracket Ass'y.
92	*7265247	Bushing and Manual Drive Shaft Ass'y.
	7262827	Drive Shaft Ass'y.
93	7263800	Spring, clutch lever return
<b>Installation Parts</b>		
	6030	Capacitor, (.5 mfd) generator (†1211095)
	6089	Capacitor, (.5 mfd) ignition coil (†1929070)
	6030	Capacitor, (.5 mfd) voltage regulator (†1917580)
	455640	Fuse 7.5 amp.
	*1990777	Knob, control
	*7265132	Knob, tone
	*7265149	Knob, dummy
	*7265117	Escutcheon Backplate (metal)
	*7265123	Escutcheon, selector (plastic)
	*7265120	Escutcheon, volume (plastic)
	6009	Wheel Static Collector

† Number stamped on part but not same as Service Part No.

\* Part first used in 1955.