



UNITED MOTORS SERVICE

DIVISION OF GENERAL MOTORS CORPORATION

General Offices - Detroit

AUTO RADIO BULLETIN

Bulletin 6D-858

Chevrolet 987187

Date 1-15-55

Page 1

FIRST ISSUE

SUBJECT: SERVICE INSTRUCTIONS — CHEVROLET TRUCK MODEL 987187

GENERAL

MOUNTING—All 1955 Chevrolet Trucks.

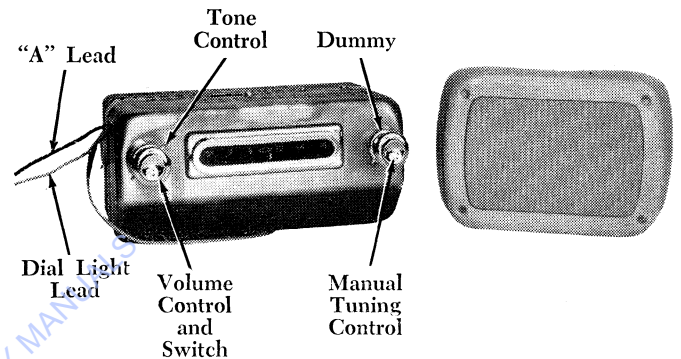
TUBES—Five, plus rectifier.

SPEAKER—5"x7" Elliptical, Permanent Magnet.

TUNING—Manual.

ANTENNA TRIMMER COMPENSATION—For Antennas Between 0.000058 - 0.000090 Mfd.

TUNING RANGE—540-1600 KC.



ALIGNMENT PROCEDURE

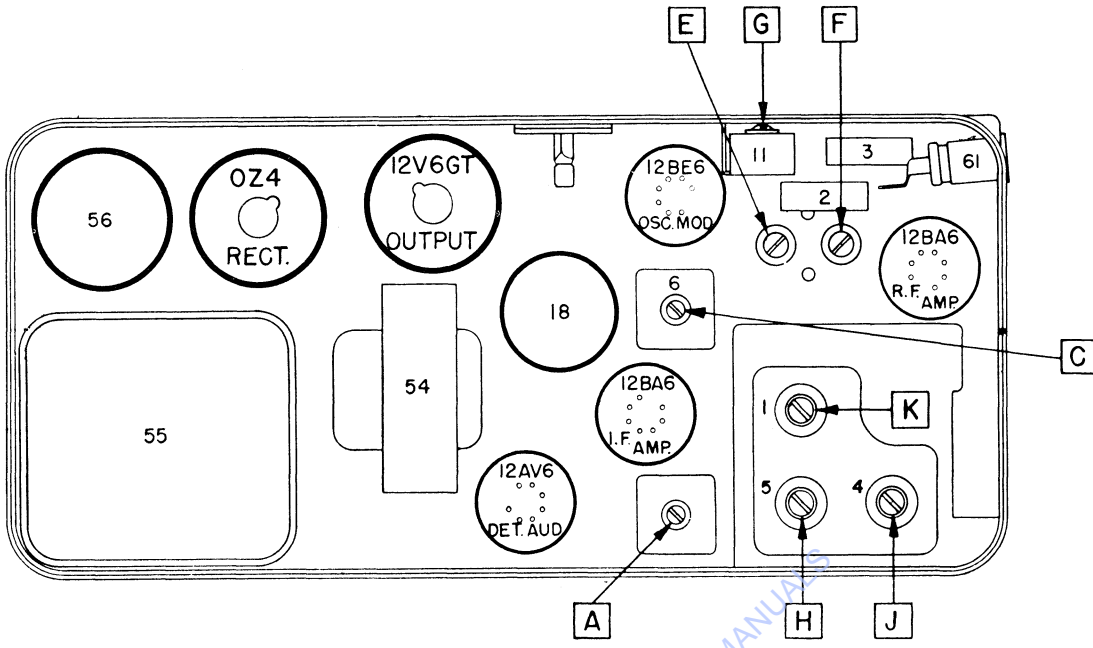
Output Meter Connections Across Voice Coil
 Generator Return To Receiver Chassis
 Dummy Antenna In Series With Generator
 Volume Control Position Maximum Volume
 Tone Control Position Treble
 Generator Output Minimum for Readable Indication

Steps	Series Capacitor or Dummy Antenna	Connect Signal Generator to	Signal Generator Frequency	Tune Receiver to	Adjust in Sequence For Max. Output
1	0.1 Mfd.	12BE6 Grid (Pin #7)	262 KC	High Frequency Stop	A, B, C, D
2	0.000082 Mfd.	Antenna Connector	1615 KC	High Frequency Stop	*E, F, G
3	0.000082 Mfd.	Antenna Connector	1000 KC	Signal General Signal	J, K
4	0.000082 Mfd.	Antenna Connector	1615 KC	High Frequency Stop	F, G
5	0.000082 Mfd.	Antenna Connector	900 KC	Signal General Signal	**

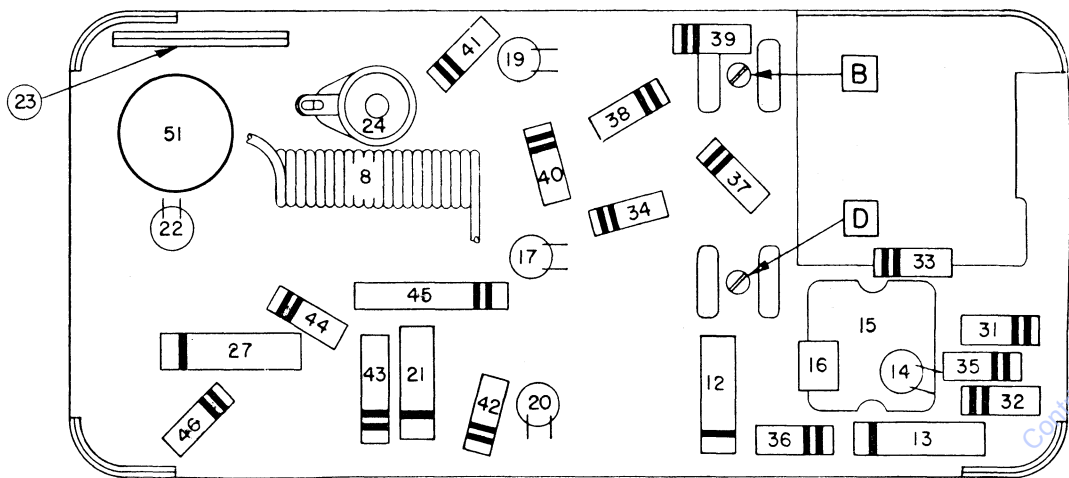
*Before making this adjustment check mechanical setting of oscillator core "H." The rear of the core should be $1\frac{3}{32}$ " from the mounting end of the coil form. (This measurement is readily made by inserting a suitable plug in the mounting end of the coil form.) Core adjustment should be made with an insulated screw driver.

**Tune in 900 KC signal and adjust pointer on the dial cord so that the pointer is on the 900 KC mark of the dial. This setting is to give the correct relationship between the pointer and dial when the radio is installed in a car.

With the radio installed and the car antenna plugged in adjust the antenna trimmer "G" for maximum volume with the radio tuned to a weak station between 600 and 1000 KC (see sticker on case.)



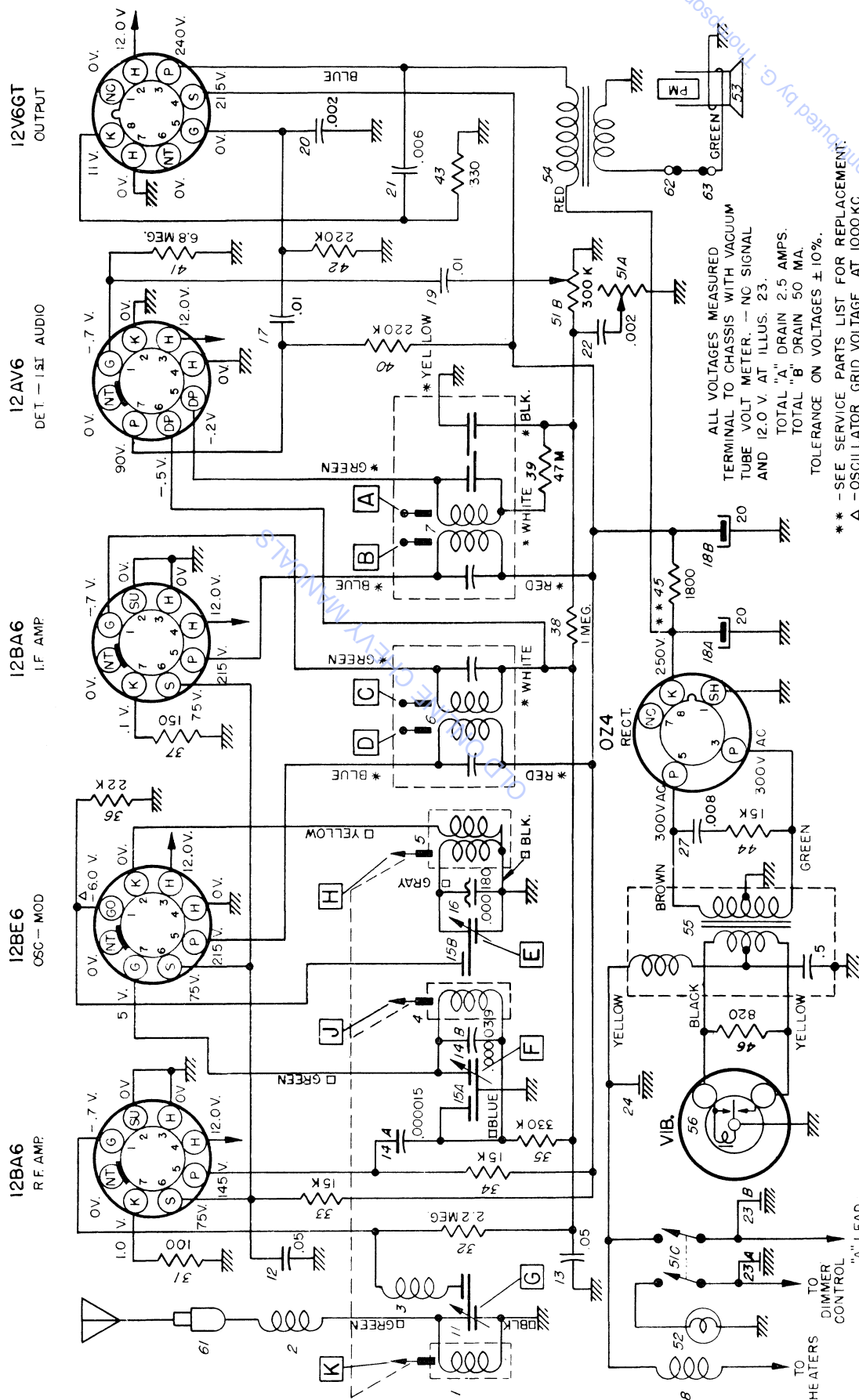
PARTS LAYOUT — TUBE VIEW



PARTS LAYOUT — CHASSIS VIEW

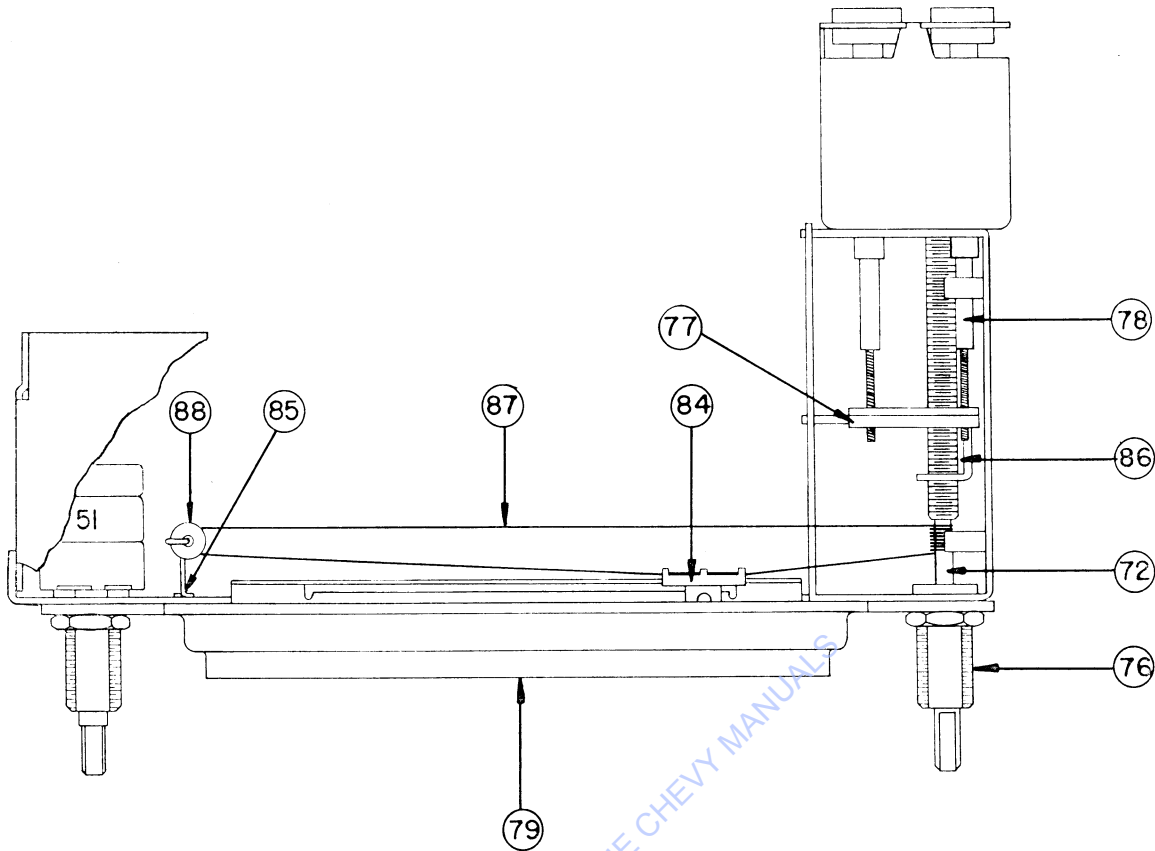
OLD ONLINE CHEVY MANUALS

Contributed by G. Thompson

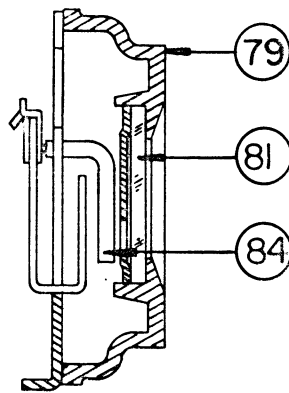


ALL VOLTAGES MEASURED
TERMINAL TO CHASSIS WITH VACUUM
TUBE VOLT METER. - NC SIGNAL
AND 12.0 V. AT ILLUS. 23.
TOTAL "A" DRAIN 2.5 AMPS.
TOTAL "B" DRAIN 50 MA.
TOLERANCE ON VOLTAGES ± 10%.

- ** - SEE SERVICE PARTS LIST FOR REPLACEMENT.
- Δ - OSCILLATOR GRID VOLTAGE AT 1000 KC.
- * - COLORS OF TERMINALS ON SERVICE PARTS.
- - INDICATES LEADS FROM COIL ASSEMBLY.
- K - INDICATES THOUSAND FOR RESISTOR VALUES.



TUNER



ESCUTCHEON CROSS SECTION

NOTE: FOR COMPLETE SERVICE INFORMATION ON THE PUSH-PULL LOCK-UP TUNER
SEE BULLETIN 6D-619

Contributed by G. Thompson

SERVICE PARTS LIST

Chevrolet Truck Model 987187

Illus. No.	Service Part No.	Description
ELECTRICAL PARTS		
Coils		
1	7258914	Antenna
2	7255738	Antenna Series Choke
3		Antenna Spark Choke
4	7258914	RF
*5	*7258911	Oscillator
6	1218725	1st IF
7	1218726	2nd IF
8	1217846	Hash choke
Capacitor		
11	7265202	Antenna trimmer capacitor
12	6537	.05 mfd 400 V. tubular (†7236841)
13	6537	.05 mfd 200 V. tubular (†7236841)
14	7265811	Dual capacitor .000015-39 Mfd.
14A		.000015 mfd disc ceramic
14B		.000039 mfd disc ceramic
15	7242454	Dual trimmer
15A		RF section
15B		Osc. section
16	7252424	.000180 mfd compensating
*17	*6354	.01 mfd 500 V. disc ceramic
18	6309	Electrolytic (†7262905)
18A		20 mfd 400 V.
18B		20 mfd 400 V.
*19	*6533	.01 mfd 600 V. tubular (†1208600)
*20	*6352	.002 mfd 600 V. disc ceramic
21	H-602	.006 mfd 800 V. tubular (†1219084)
*22	*6352	.002 mfd, disc ceramic
23	1220308	Spark plate assembly
23A		Dial light section
23B		"A" lead section
24	1217848	Chassis plate capacitor
*27	*H802	.008 mfd 1600 V., tubular (†1215191)
Resistors		
31	1113	100 ohms ½ W.
32	1239	2.2 megohms ½ W.
33	1277	15,000 ohms 2 W.
*34	*1253	15,000 ohms 1 W.
35	1229	330,000 ohms ½ W.
36	1215	22,000 ohms ½ W.
37	1115	150 ohms ½ W.
38	1235	1 megohm ½ W.
39	1219	47,000 ohms ½ W.
40	1227	220,000 ohms ½ W.
41	1245	6.8 meg ½ W.
42	1227	220,000 ohms ½ W.
43	1156	330 ohms 1 W.
*44	*1253	15K ohms 1 W. (Carbon rod type)
45	1204 } 1171 }	1800 ohms 2 W. wire wound (Replace with 2700 ohms 2 W. and 5600 ohms 1 W. in parallel)
*46	*1161	820 ohms 1 W.
Tubes		
	12BA6	12BA6
	12BE6	12BE6
	12AV6	12AV6
	12V6GT	12V6GT
	0Z4	0Z4

† Number stamped on part but not same as Service Part No.

* Part first used in 1955.

SERVICE PARTS LIST

Chevrolet Truck Model 987187 (con't.)

Illus. No.	Service Part No.	Description
MISCELLANEOUS		
*51	*7266193	Control, volume, tone and switch
51A		Tone control
51B		Volume control
51C		Switch
*52		Lamp, dial #57X
53	6110	Speaker, 5" x 7" (†7265780)
54	6062	Transformer, output
55	6064	Transformer, power
56	8550	Vibrator (†1220155)
MECHANICAL PARTS		
61	7239475	Socket, antenna
	6072	Socket, 7 pin miniature
	6070	Socket, octal tube
	6074	Socket, vibrator
	1220670	Socket, dial light
Tuner		
72	1220815	Tuning shaft assy.
	6279	Spring, washer
	6277	"C" washer
76	7266192	Bushing, manual drive shaft
77	7265194	Core bar assembly
78	1220355	Core, iron tuning
79	7266198	Escutcheon assy.
81		Dial glass (part of escutcheon assy.)
84	7265195	Pointer assy.
85	7265275	Spring, dial cord drive
86	7262922	Spring, manual drive
87	6040	Cord, dial
88	7263593	Pulley, dial cord drive
INSTALLATION PARTS		
	6030	Capacitor, (.5 mfd.) generator (†1911095)
	6089	Capacitor, (.5 mfd.) ignition coil (†1929070)
	6030	Capacitor, (.5 mfd.) voltage regulator (†1917580)
	455640	Fuse
	7265768	Knob assembly, control
	7265770	Knob, dummy
	7265769	Knob, tone control
	7265125	Radio support bracket
	6009	Collector, static
	*7265775	Speaker housing

† Number stamped on part but not same as Service Part No.

* Part first used in 1955.