



UNITED MOTORS SERVICE

DIVISION OF GENERAL MOTORS CORPORATION

General Offices - Detroit

AUTO RADIO BULLETIN

Bulletin 6D-859

Chevrolet 987366

Date 11-1-55

Page 1

FIRST ISSUE

SUBJECT: SERVICE INSTRUCTIONS — CHEVROLET STANDARD MODEL 987366

GENERAL

MOUNTING—All 1956 Chevrolet Cars.

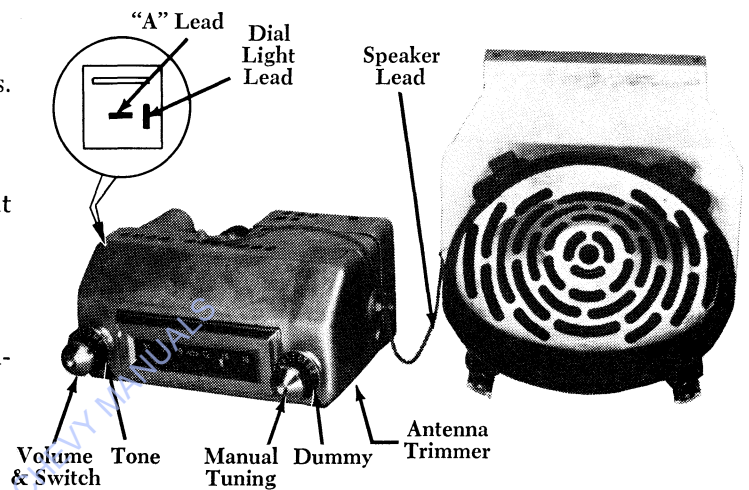
TUBES—Five, plus rectifier.

SPEAKER—6"x9" Elliptical, Permanent Magnet.

TUNING—Manual.

ANTENNA TRIMMER COMPENSATION—For Antennas Between
0.000058 - 0.000090 Mfd.

TUNING RANGE—540-1600 KC.

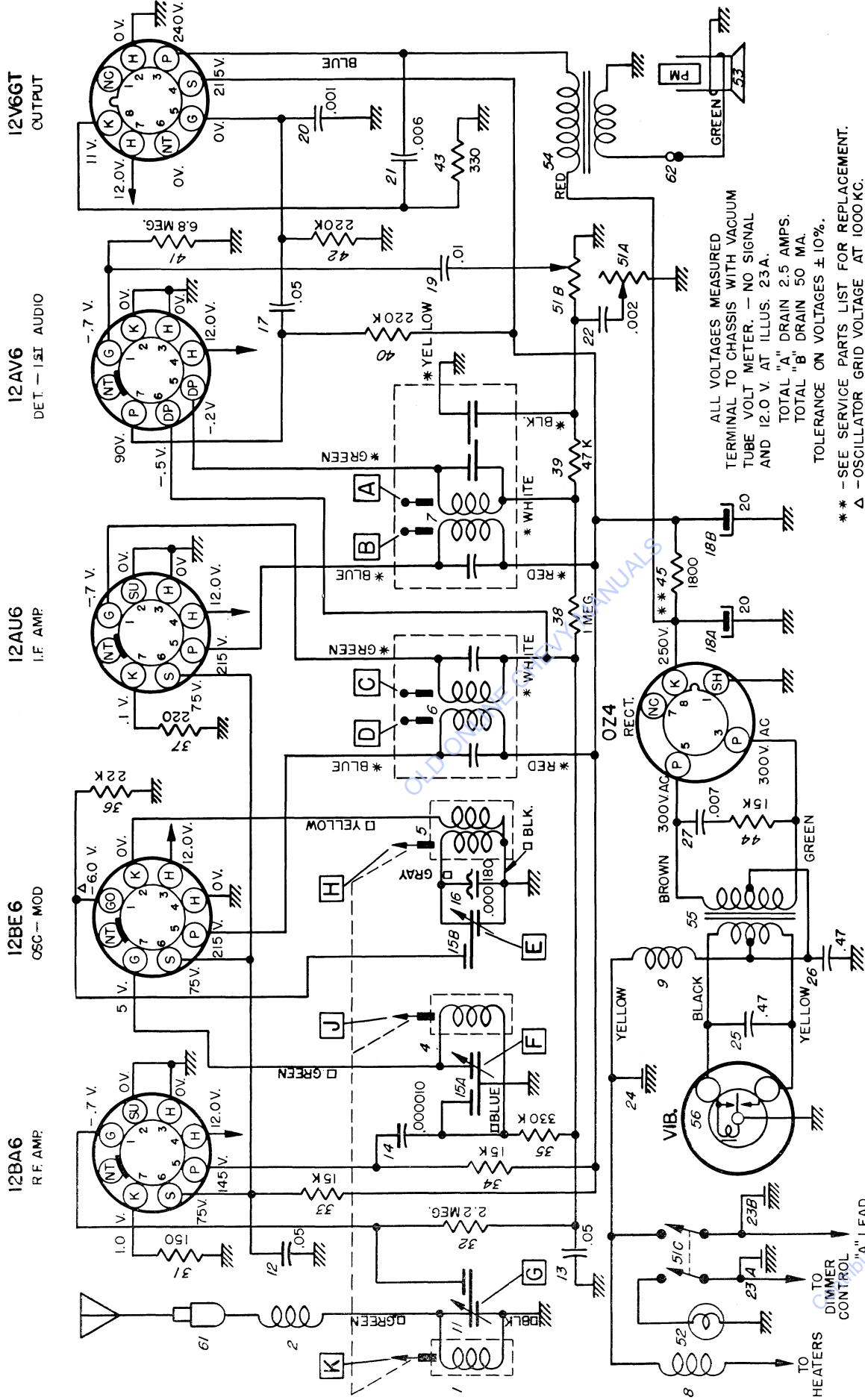


SERVICE INFORMATION—This model is identical to Model 987088 (Bulletin 6D-856) except for the following Service Parts and Schematic on page 2.

Illus. No.	Service Part No.	Description
8	1217846	Hash choke
9	*7265568	* Power trans. choke
23	*1220885	*Spark plate cap.
26	6592	.47 mfd 100V. tubular
37	1117	220 ohms 1/2 W.
	*12AU6	*12AU6
INSTALLATION PARTS		
	*1990825	*Knob, control

* Part first used in 1956.

Contributed by G. Thompson



ALL VOLTAGES MEASURED
TERMINAL TO CHASSIS WITH VACUUM
TUBE VOLT METER. - NO SIGNAL
AND 12.0 V. AT ILLUS. 23A.
TOTAL "A" DRAIN 2.5 AMPS.
TOTAL "B" DRAIN 50 MA.
TOLERANCE ON VOLTAGES ± 10%.

- ** - SEE SERVICE PARTS LIST FOR REPLACEMENT.
- Δ - OSCILLATOR GRID VOLTAGE AT 1000 KC.
- * - COLORS OF TERMINALS ON SERVICE PARTS.
- - INDICATES LEADS FROM COIL ASSEMBLY.

TO DIMMER CONTROL "A" LEAD
TO HEATERS

Copyrighted by G. Thompson