



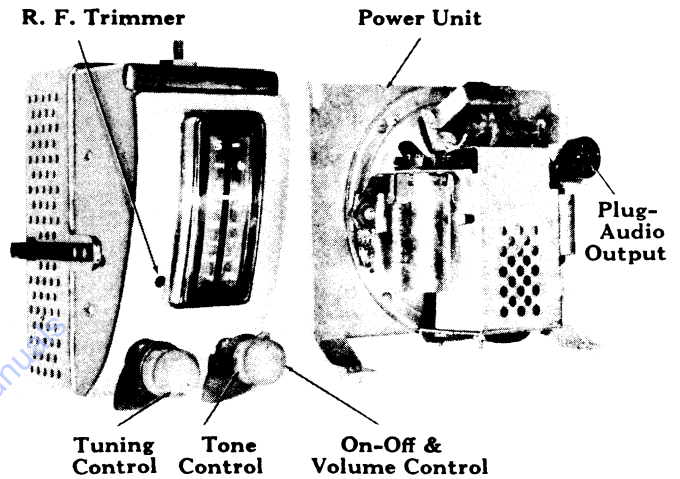
UNITED MOTORS SERVICE
 DIVISION OF GENERAL MOTORS CORPORATION
 General Offices—Detroit
AUTO RADIO BULLETIN

Bulletin	6D-844
Chevrolet	986241
Date	11-15-48
Page	1

**SUBJECT: SERVICE INSTRUCTIONS - CHEVROLET 1949 MODEL
 986241 CUSTOM DELUXE AUTO RADIO**

GENERAL

MOUNTING..... All 1949 Chevrolet Cars
 TUBES..... Five, Plus Rectifier
 SPEAKER..... 6" Electro-Magnetic
 TUNING..... Manual
 ANTENNA TRIMMER COMPENSATION
 —For Antennas Between
 0.000060 — 0.000080 Mfd.
 TUNING RANGE..... 535 - 1610 KC.



MODEL 986241

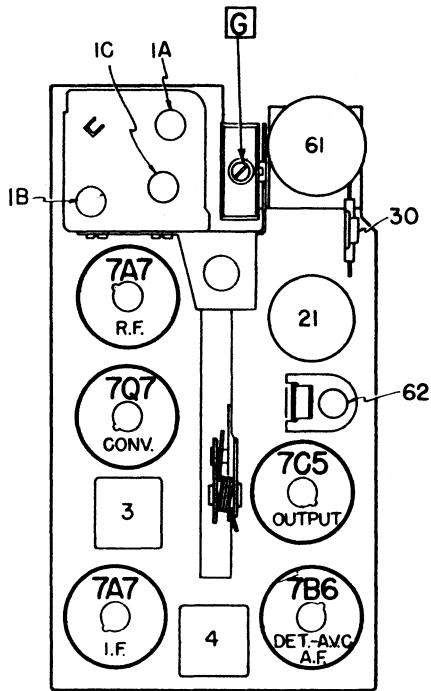
ALIGNMENT PROCEDURE:

Output Meter Connection..... Across Voice Coil
 Generator Return..... To Receiver Chassis
 Dummy Antenna..... In Series With Generator
 Volume Control Position..... Maximum Volume
 Tone Control Position..... Treble
 Generator Output..... Minimum for Readable Indication

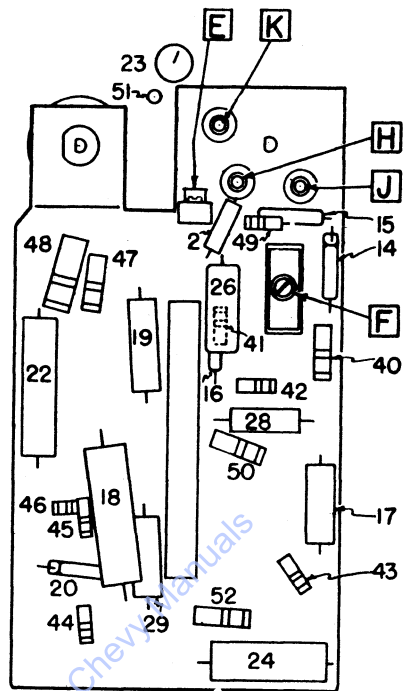
Steps	Series Condenser or Dummy Antenna	Connect To	Signal Generator Frequency	Tune Receiver To	Adjust In Sequence For Max. Output
1	0.02 Mfd.	7Q7 Grid (Pin #6)	257.5 KC.	High Frequency Stop	A, B, C, D
2	0.000065 Mfd.	Antenna Connector	1610 KC	High Frequency Stop	E, F, G
3	0.000065 Mfd.	Antenna Connector	1400 KC	Signal Generator Signal	H, J, K
4	0.000065 Mfd.	Antenna Connector	1610 KC	High Frequency Stop	F, G
5	0.000065 Mfd.	Antenna Connector	1400 KC	Signal Generator Signal	*Pointer Adjust. Screw

*Refer to the Pointer String Hookup drawing Page 4. This should be adjusted so the pointer reads 1400 KC.

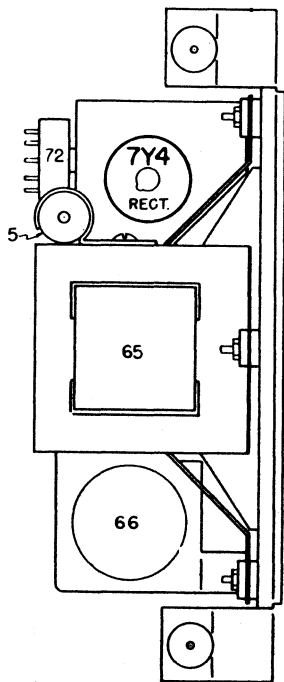
With the radio installed and the car antenna plugged in adjust the antenna trimmer "G" for maximum volume with the radio tuned to a weak station near 1400 KC.



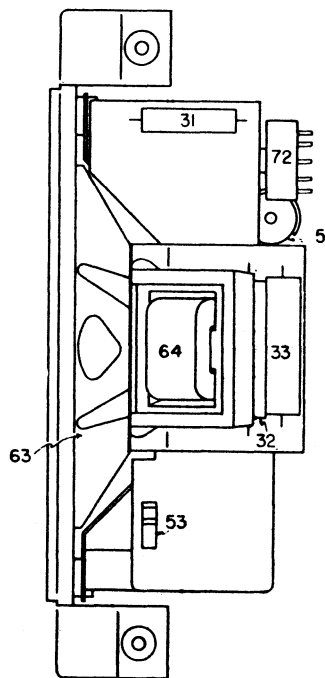
PARTS LAYOUT—TUBE VIEW

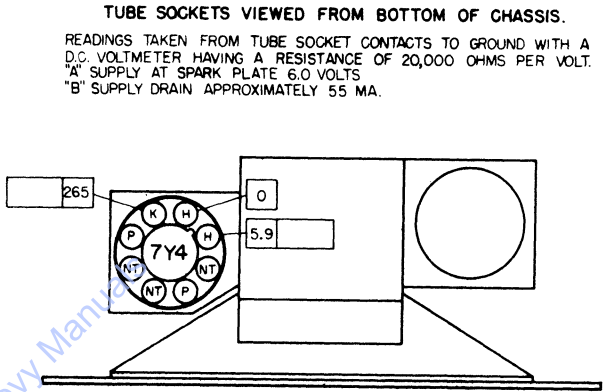
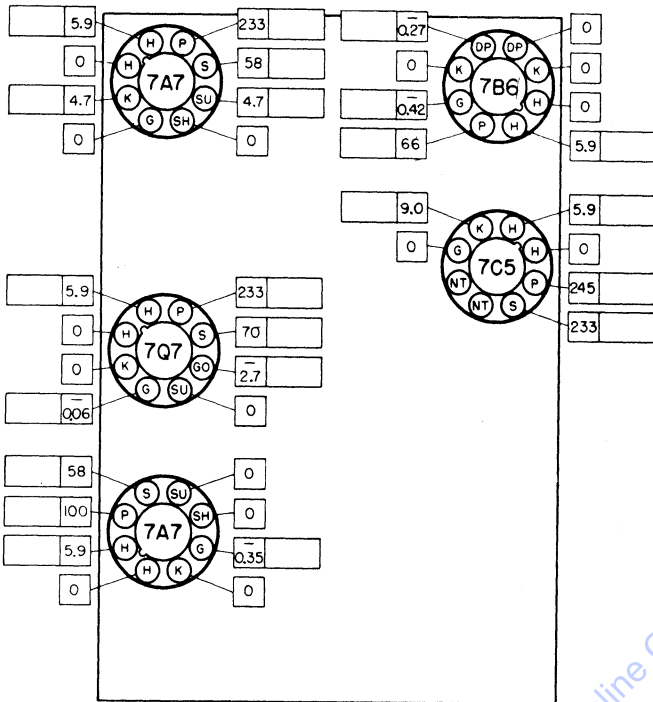


PARTS LAYOUT—CHASSIS VIEW

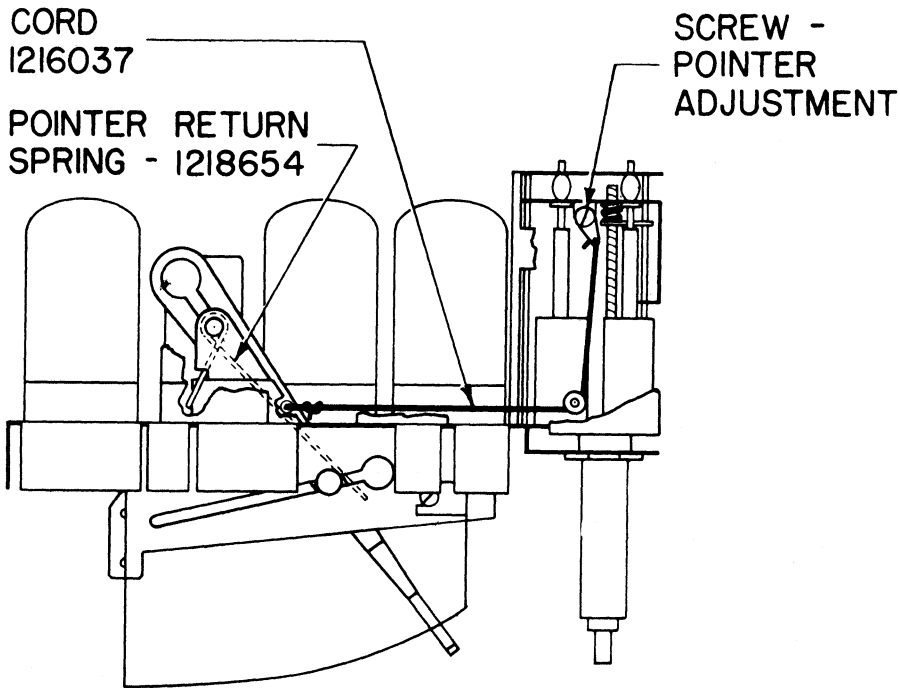


PARTS LAYOUT—POWER UNIT





TUBE SOCKET VOLTAGE CHART



POINTER STRING HOOKUP

Contributed by G. Thompson

SERVICE PARTS LIST

ELECTRICAL PARTS

COILS

Illus. No.	Service Part No.	Production Part No.	Description
1		1218664	Coils-Permeability Tuning Antenna Coil R. F. Coil Oscillator Coil
1A			
1B			
1C			
2		1218639	Antenna Spark Choke
3		1218660	1st I. F. Assembly
4		1218661	2nd I. F. Assembly
4A			47,000 Ohm $\frac{1}{2}$ Watt
4B			.00018 Mfd. Molded Condenser
4C			.00018 Mfd. Molded Condenser
5		1218643	Hash Choke

CONDENSERS

13		1218634	Antenna Trimmer
14	G100	7234242	.00001 Mfd. Molded
15	G271	1215553	.0003 Mfd. Molded
16	G470	7236141	.00005 Mfd. Molded
17		7233608	.01 Mfd. 100 V. Tubular
18		7230592	.05 Mfd. 200 V. Tubular
19		7230767	.005 Mfd. 100 V. Tubular
20	G471	1216881	.0005 Mfd. Molded
21		1218633	Electrolytic Condenser
21A			20 Mfd. 350 V.
21B			20 Mfd. 350 V.
21C			20 Mfd. 25 V.
22	E103	7233608	.01 Mfd. 600 V. Tubular
23		7230592	.05 Mfd. 200 V. Tubular
24		7230592	.05 Mfd. 200 V. Tubular
25		1218636	R.F. Trimmer
26		1218632	.0005 Mfd.—Temperature Compensating
27		1218635	Oscillator Trimmer
28		1218631	.00142 Mfd. Silver Mica
29		7230767	.005 Mfd. 100 V. Tubular
30		1218629	Spark Plate
31	H402	1218630	.004 Mfd. 1600 V. Tubular
32		7240248	.5 Mfd. 100 V. Tubular
33		7240248	.5 Mfd. 100 V. Tubular

RESISTORS

40	B223	1216156	22,000 Ohm 1 W. Insulated
41	A156		15 Megohm $\frac{1}{8}$ W. Insulated
42	A223	1214550	22,000 Ohm $\frac{1}{2}$ W. Insulated
43	A332		3,300 Ohm $\frac{1}{2}$ W. Insulated
44	A156		15 Megohm $\frac{1}{8}$ W. Insulated
45	A105	1213282	1 Megohm $\frac{1}{2}$ W. Insulated
46	A224		220,000 Ohm $\frac{1}{8}$ W. Insulated
47	B271	1213846	270 Ohm 1 W. Insulated
48	C182	1214573	1,800 Ohm 2 W. Insulated
49	A105		1 Megohm $\frac{1}{8}$ W. Insulated
50	B333	7242447	33,000 Ohm 1 W. Insulated
51	A105		1 Megohm $\frac{1}{8}$ W. Insulated
52	A823	1214554	82,000 Ohm $\frac{1}{2}$ W. Insulated
53	B151	1211005	150 Ohm 1 W. Insulated

TUBES

5290	1213562	7A7—R. F. Amplifier
5301	1213981	7Q7—Oscillator—Translator
5290	1213562	7A7—I. F. Amplifier
5292	1213565	7B6—Detector AVC—1st Audio
5295	1213568	7C5—Audio Output
5302	1213570	7Y4—Rectifier

Bulletin 6D-844

Chevrolet 986241

Date 11-15-48

Page 6

MISCELLANEOUS ELECTRICAL PARTS

Illus. No.	Service Part No.	Production Part No.	Description
61		1218641	Control-Volume, Tone and Switch
61A			Volume Control
61B			Tone Control
61C			On-Off Switch
62		125588	Lamp, Dial (Mazda 55)
63		1218657	Speaker—6" Electro-Magnetic
64		1218662	Transformer—Output
65		1218663	Transformer—Power
66		1218006	Vibrator

MECHANICAL PARTS

CHASSIS

70		1218651	Socket—Antenna Connector
		1218013	Socket—Loctal Tube
		1218653	Socket—Rectifier
		1218652	Socket—Vibrator
		1218638	Cover—Rectifier Socket
		1218640	Clip—Pilot Lamp
71		1218642	Cable & Socket—Power
		1218645	Lead Assy.—Dimmer
		1218649	Plug & Leads Assy.—Power Supply & Speaker
72		1218650	Plug—Plug & Leads Assy.
		1218655	Spring—Case Assembly Cover
		1218622	"A" Connector Assembly
		1218628	Case—Front

TUNER PARTS

		1218621	Pointer Arm
		1218623	Pointer Arm Assembly
		1218624	Background—Dial
		1218625	Background—Pointer
		1218644	Dial
		1218646	Link & Stud Assy.—Pointer
		1218647	Nut—Speed—Dial & Background Mtg.
		1218648	Pointer—Dial
		1218654	Spring—Pointer Return
		1218659	Stud—Top Mounting

INSTALLATION PARTS

		3690332	Bracket—Receiver Mounting-Top
		7257984	Block—Serrated—Radio Mtg.
		7257922	Bushing—Control
		3690333	Trim Plate
		147685	Fuse—14 Amp.—25 Volt
		7257930	Knob—Tone
		7257929	Knob—Dummy
		7257928	Knob (Includes Set Screw)—Volume & Tuning
	6015	1911095	Condenser—Generator
		7257919	Condenser—Ammeter
		1910147	Condenser—Ignition Coil
		1912900	Condenser—Voltage Regulator
		7257917	Stud—Power Supply Mtg.
		1887829	Suppressor—Distributor
		1888204	Nipple—Suppressor
		494786	Static Collector Assembly