



UNITED MOTORS SERVICE

DIVISION OF GENERAL MOTORS CORPORATION

General Offices - Detroit

AUTO RADIO BULLETIN

Bulletin 6D-845

Chevrolet 986388

Date: 12-1-49

Page 1

SUBJECT: SERVICE INSTRUCTIONS — CHEVROLET CUSTOM DELUXE WITH PUSH BUTTONS — MODEL 986388

GENERAL

MOUNTING—All 1950 Chevrolet Cars.

TUBES—Five, plus rectifier.

SPEAKER—6" x 9" Elliptical, Permanent Magnet.

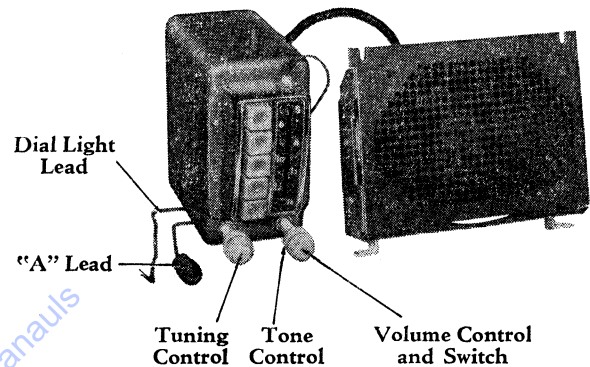
TUNING—Manual and 5 P. B. Mechanical.

ANTENNA TRIMMER COMPENSATION—For Antennas Between 0.000058 - 0.000090 Mfd.

TUNING RANGE—550-1600 KC.

PUSH BUTTON SETUP PROCEDURE

Pull Push Button down and out. Tune in desired station manually. Push button all the way in.



MODEL 986388

ALIGNMENT PROCEDURE

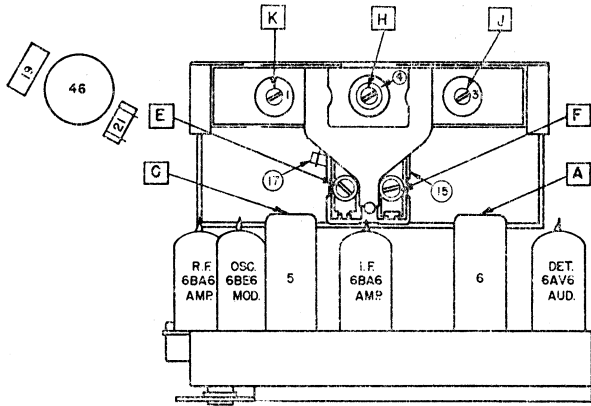
Output Meter Connections Across Voice Coil
 Generator Return To Receiver Chassis
 Dummy Antenna In Series With Generator
 Volume Control Position Maximum Volume
 Tone Control Position Treble
 Generator Output Minimum for Readable Indication

Steps	Series Condenser or Dummy Antenna	Connect Signal Generator to	Signal Generator Frequency	Tune Receiver to	Adjust in Sequence For Max. Output
1	0.1 Mfd.	6BE6 Grid (Pin #7)	260 KC	High Frequency Stop	A, B, C, D
2	0.000068 Mfd.	Antenna Connector	1615 KC	High Frequency Stop	*E, F, G
3	0.000068 Mfd.	Antenna Connector	1400 KC	Signal Generator Signal	J, K
4	0.000068 Mfd.	Antenna Connector	1615 KC	High Frequency Stop	F, G
5	0.000068 Mfd.	Antenna Connector	1000 KC	Signal Generator Signal	L**

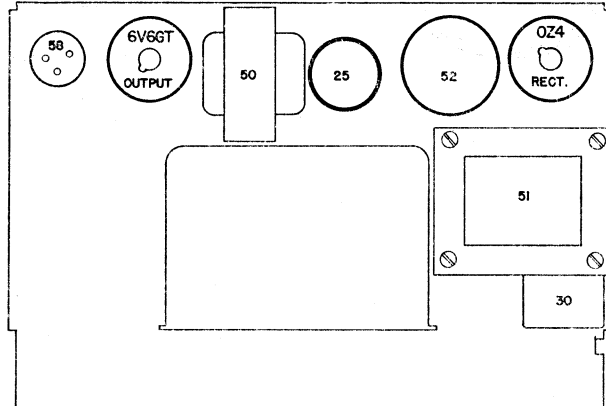
*Before making this adjustment check mechanical setting of oscillator core "H." The rear of the core should be 1 25/32" from the mounting end of the coil form. (This measurement is readily made by inserting a suitable plug in the mounting end of the coil form.) If adjustment is necessary, first dissolve the glyptal seal on the core studs. Core adjustments should be made with an insulated screw driver, and core studs should be cemented in place with glyptal or household cement after alignment.

**L is the pointer adjustment screw which is on the connecting link, between the pointer assembly and core guide bar (See tuner Dwg.). It should be adjusted so that when looking directly at the dial the pointer is 3/16" below the 1000 KC mark. This setting is to give the correct relationship between the pointer and the dial when the radio is installed in a car.

With the radio installed and the car antenna plugged in adjust the antenna trimmer "G" for maximum volume with the radio tuned to a weak station near 1400 KC (see sticker on case).

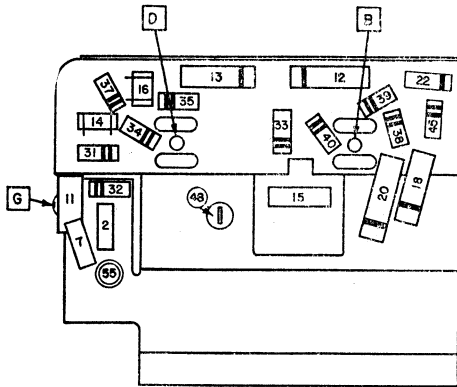


R.F. UNIT

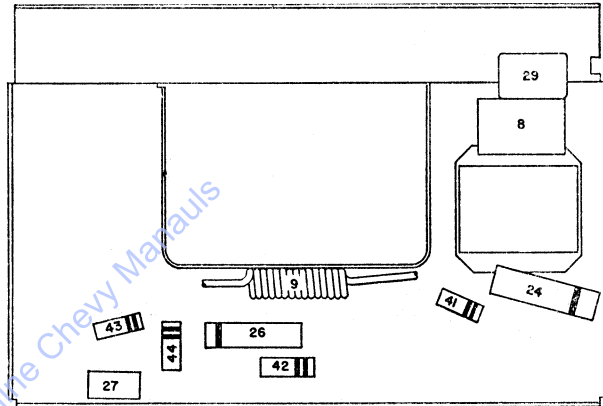


AUDIO UNIT

PARTS LAYOUT — TUBE VIEW

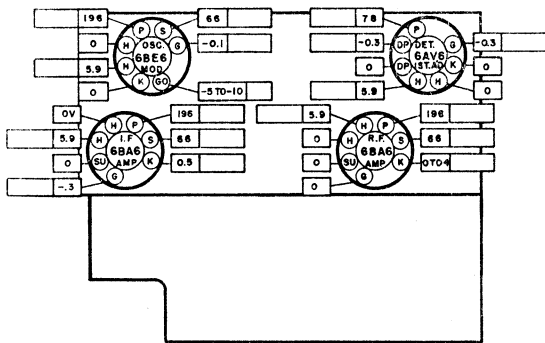


R.F. UNIT

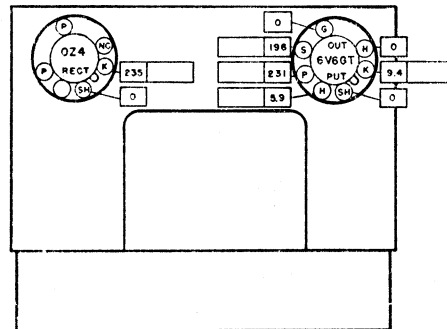


AUDIO UNIT

PARTS LAYOUT — CHASSIS VIEW



R.F. UNIT



AUDIO UNIT

TUBE SOCKET VOLTAGE CHART

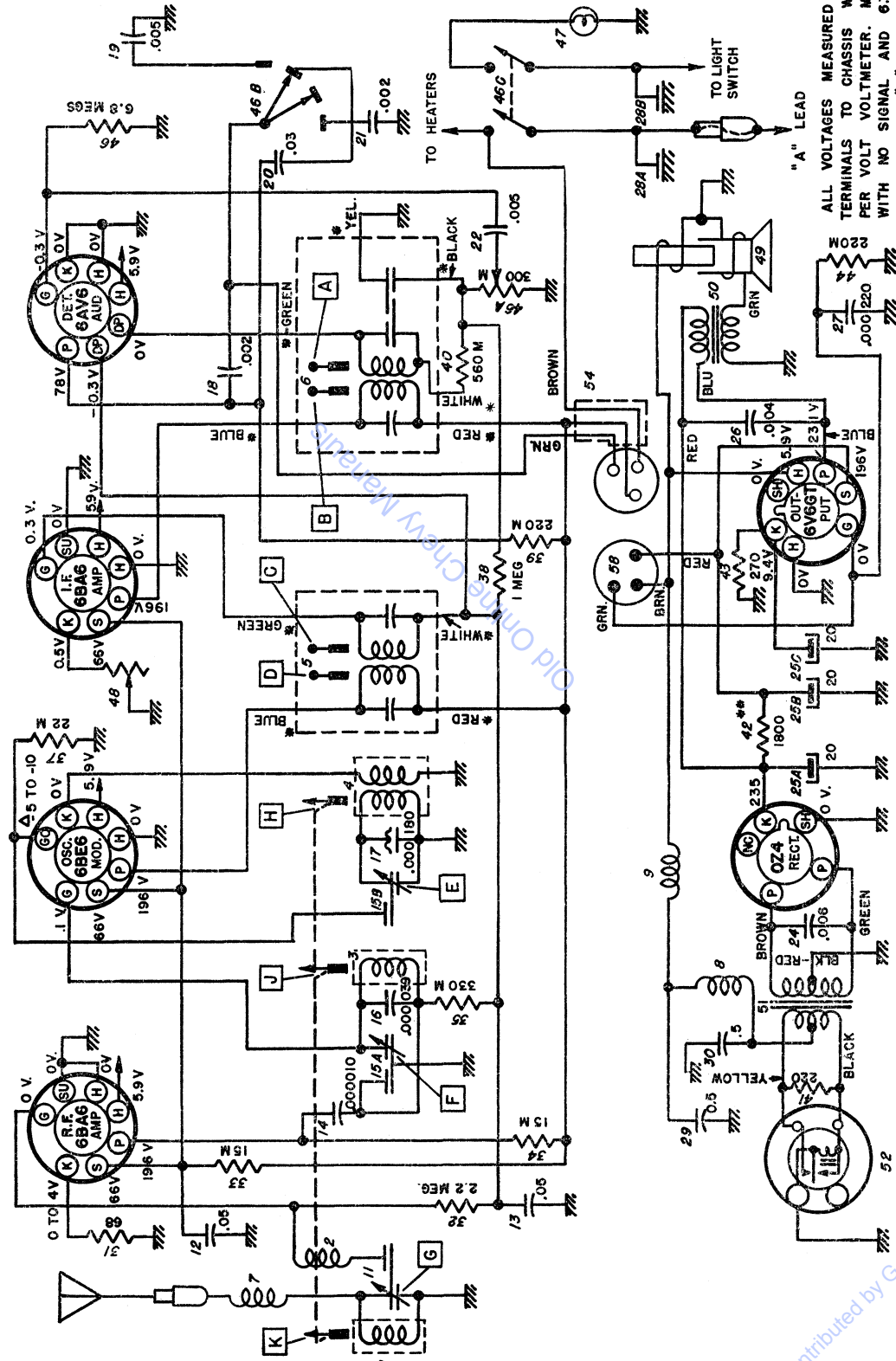
The tube socket voltages, as measured at the factory and under the conditions shown on the schematic diagram on page 3 are shown above. The blank spaces are provided so the service man may fill in the actual voltage readings as taken with his own equipment. A normal operating radio should be used for these measurements.

VOLTMETER RESISTANCE..... OHMS PER VOLT

READINGS TAKEN WITH..... VOLTS AT SPARK PLATE

Voltage measured from socket terminals to chassis and are positive unless marked otherwise.

Contributed by G. Thompson

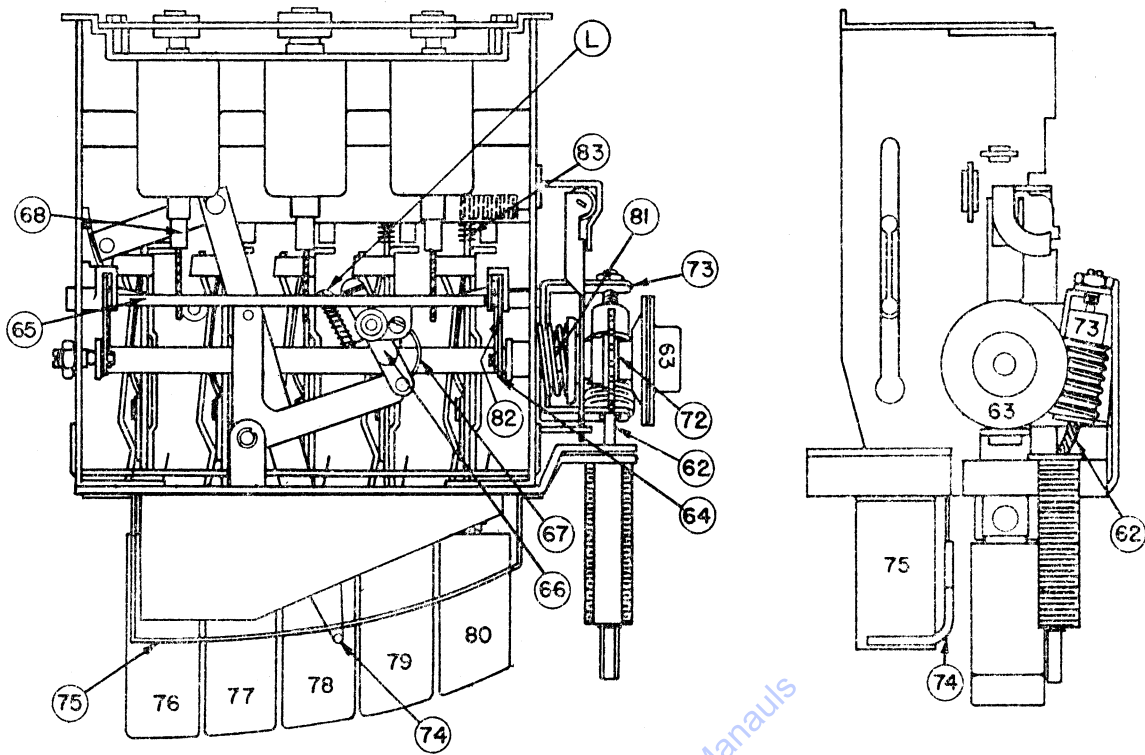


ALL VOLTAGES MEASURED FROM SOCKETS
 TERMINALS TO CHASSIS WITH A 20,000 OHM
 PER VOLT VOLTMETER. MEASUREMENTS TAKEN
 WITH NO SIGNAL AND 6:0 VOLTS AT SPARK
 PLATE. TOTAL "A" DRAIN 6.5 AMPS. TOTAL "B"
 DRAIN 50 MA. TOLERANCE ON VOLTAGES ± 10%.

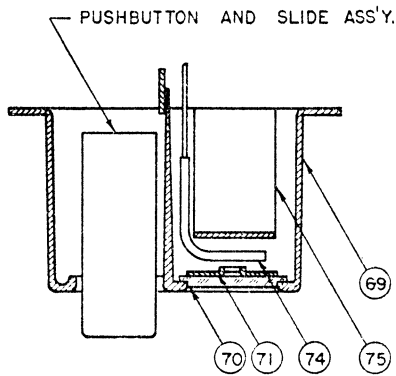
* - SEE SERVICE PARTS LIST FOR REPLACEMENT.
 Δ - OSCILLATOR GRID VOLTAGE AT 1000 KC.
 * - COLORS OF TERMINALS ON SERVICE PART

CHEVROLET 986388

Contributed by G. Thompson



TUNER



ESCUTCHEON CROSS SECTION

Old Online Chevy Manuals

Contributed by G. Thompson

SERVICE PARTS LIST

Illus. No.	Production Part No.	Service Part No.	Description
ELECTRICAL PARTS			
Coils			
1	7258914	7258914	Antenna
2	7240251	7240251	Antenna Spark Choke
3	7258914	7258914	R.F.
4	7258911	7258911	Oscillator
5	7258188	1218725	1st IF
6	7258198	1218726	2nd IF
7	7258502	7258502	Antenna Series Choke
8	7258743	7258743	Hash Choke
9	7241708	7241708	Hash Choke
Condensers			
11	7258000	7258000	Antenna Trimmer Cond.
12	7236841	E 503	.05 mfd 400 V Tubular
13	7236842	E 503	.05 mfd 200 V Tubular
14	1218371	G 100	.000010 mfd Ceramic
15	7242454	7242454	Dual Trimmer
15A			RF Section
15B			Oscillator Section
16	7258221	G 390	.000039 mfd Ceramic
17	7257424	7257424	.000180 mfd Compensating
18	1219634	E 202	.002 mfd 600 V Tubular
19	7230767	E 502	.005 mfd 600 V Tubular
20	7242448	E 303	.03 mfd 400 V Tubular
21	1219632	E 202	.002 mfd 600 V Tubular
22	1219635	E 502	.005 mfd 600 V Tubular
24	7240906	H 602	.006 mfd 1600 V Tubular
25	7240724	M 908	Electrolytic
25A			20 mfd 400 V
25B			20 mfd 400 V
25C			20 mfd 25 V
26	7233243	H 402	.004 mfd 800 V Tubular
27	7236105	G 221	.000220 mfd Molded
28	7258332	7258332	Dual Spark Plate
28A			"A" Lead Section
28B			Dial Light Section
29	7257879	E 504	.5 mfd 100 V Tubular
30	7257879	E 504	.5 mfd 100 V Tubular
Resistors			
31	1215558	1215558	68 Ohms 1/2 W Insulated
32	1211147	A 225	2.2 Megohms 1/2 W Insulated
33	7233653	C 153	15,000 Ohms 2 W Insulated
34	7237595	B 153	15,000 Ohms 1 W Insulated
35	7240732	A 334	330,000 Ohms 1/2 W Insulated
37	1214550	A 223	22,000 Ohms 1/2 W Insulated
38	7238873	A 105	1 Megohm 1/2 W Insulated
39	1214555	A 224	220,000 Ohms 1/2 W Insulated
40	1214560	A 564	560,000 Ohms 1/2 W Insulated
41	7237994	B 221	220 Ohms 1 W Insulated
42	1214573	{ C 272 B 562	1800 Ohms 2 W { Replace with C 272 and B 562 in parallel
43	1213846	B 271	270 Ohms 1 W Insulated
44	1214555	A 224	220,000 Ohms 1/2 W Insulated
45	7241937	A 685	6.8 Megohms 1/2 W Insulated
Tubes			
	1213793	5241	6V6GT
	1211924	5003	0Z4
	1217690	5252	6BA6
	1217691	5253	6BE6
	1218506	5262	6AV6

SERVICE PARTS LIST

Illus. No.	Production Part No.	Service Part No.	Description
Miscellaneous Electrical Parts			
46	7258084	7258084	Control - Volume, Tone and Switch
46A			Volume Control
46B			Tone Control
46C			Switch
47	115273	51	Lamp - Dial
48	7242204	7242204	Sensitivity Control
49	7249381	6111	Speaker - 6 x 9 Elliptical PM
50	7256009	7256009	Transformer - Output
51	7258747	7258747	Transformer - Power
52	7239124	8542	Vibrator - Non-synchronous
MECHANICAL PARTS			
Chassis - RF Unit			
54	7258022	7258022	Cable
55	7239475	7239475	Socket - Antenna
56	1218724	1218724	Socket - Dial Light
	7258073	7258073	Socket - 7 Pin Miniature
Chassis - Audio Unit			
58	7258111	7258111	Plug - Cable
	7236279	7236279	Socket - Octal Tube
	7239125	7239125	Socket - Vibrator
Tuner			
	147481	147481	Ball Bearings (10)
62	7258608	7258608	Drive Shaft - Manual
63	7258072	7258072	Clutch Disc - Driven
64	7258203	7258203	Connecting Link - Core Bar
65	7258206	7258206	Core Guide Bar
66	7256271	7256271	Connecting Link Pointer
67	725992	725992	Spring - Pointer Connecting Link
68	7258468	7258468	Core - Iron Tuning
69	7258963	7258963	Escutcheon
70	7258002	7258002	Dial
71	7258962	7258962	Dial Backplate
72	7259480	7259480	Gear and Bushing
73	7258052	7258052	Gear and Bracket - Worm
74	7258059	7258059	Pointer Assy.
	1218848	1218848	Pointer Tip Package
75	7258961	7258961	Pointer Backplate
76	1219558	1219558	Push Button and Slide No. 1
77	1219559	1219559	Push Button and Slide No. 2
78	1219560	1219560	Push Button and Slide No. 3
79	1219561	1219561	Push Button and Slide No. 4
80	1219562	1219562	Push Button and Slide No. 5
81	7258756	7258756	Spring - Clutch
82	7257415	7257415	Spring - Core Bar Connecting Link
83	7255984	7255984	Spring - Pushbutton Return
INSTALLATION PARTS			
	1912900	1912900	Condenser - Ammeter
	1911095	6030	Condenser - Generator
	1910147	6030	Condenser - Ignition Coil
	1912900	1912900	Condenser - Regulator
	1887829	6003	Distributor Suppressor
	7258880	7258880	Knob - Control
	7258879	7258879	Knob - Dummy
	7258882	7258882	Knob - Tone Control
	7257918	7257918	Nut - Speed
	1888204	1888204	Rubber Nipple - Distributor Suppressor
	7257920	7257920	Spacer - RF Mtg. (inner)
	7257922	7257922	Spacer - RF Mtg. (outer)
	7257925	7257925	Speaker Shroud
	494786	6009	Static Collector - Wheel
	7257917	7257917	Stud - Audio Unit Mtg.
	7257924	7257924	Trim Plate - Instrument Panel
	7257921	1218728	Fuse Holder Body - Male
	1912900	1912900	Condenser, Regulator